

TracXP™ TXP-C20

Dual Channel Controller

Instruction Manual



IMPORTANT: Read and understand contents of this manual prior to operation. Keep these user instructions for reference.

1	Safety Information.....	3
1.1	Read Before Installation and Operation.....	3
1.2	WARNINGS	4
2.1	Key Features	6
2.2	Optional Features	7
2.3	Ratings and Certifications.....	7
2.4	Specifications.....	7
2.4.1	Power Input	7
2.4.2	Standard Output.....	Error! Bookmark not defined.
2.4.3	Accuracy	Error! Bookmark not defined.
2.4.4	Display	Error! Bookmark not defined.
2.4.5	Ambient temperature.....	8
2.4.6	Temperature Drift.....	8
3	Installation Instructions.....	9
3.1	System Diagrams	9
3.1.1	Assembly Diagram	Error! Bookmark not defined.
3.1.2	External system Diagram.....	Error! Bookmark not defined.
3.2	Sensor Location	9
3.3	Mounting the Enclosure	11
3.4	Sensor Installation	11
4	General Operating Instructions	Error! Bookmark not defined.
4.1	Introduction.....	Error! Bookmark not defined.
5.1	Key Features	Error! Bookmark not defined.
6.1	Relay 1 / 2 / 3.....	Error! Bookmark not defined.
6.1.1	Alarm 1 / 2 / 3 Fault.....	Error! Bookmark not defined.
6.1.2	Acknowledge	Error! Bookmark not defined.
6.1.3	Failsafe.....	Error! Bookmark not defined.
6.1.4	Override.....	Error! Bookmark not defined.
7.1	Channel 1 / 2.....	Error! Bookmark not defined.
7.1.1	Alarm 1 / 2 / 3.....	Error! Bookmark not defined.
7.1.2	Fault Alarm	Error! Bookmark not defined.
7.2	Data From	Error! Bookmark not defined.
16	Appendix A – Table of Figures	39
18	Macurco Gas Detection Product limited warranty.....	41
	Technical Support Contact Information.....	41
	General Contact Information	41

1 Safety Information

1.1 Read Before Installation and Operation

IMPORTANT



AVERTISSEMENT: Lire attentivement les instructions avant de metre en marche.



CAUTION: FOR SAFETY REASONS THIS EQUIPMENT MUST BE OPERATED AND SERVICED BY QUALIFIED PERSONNEL ONLY. READ AND UNDERSTAND INSTRUCTION MANUAL COMPLETELY BEFORE OPERATING OR SERVICING.

ATTENTION: POUR DES RAISONS DE SÉCURITÉ, CET ÉQUIPEMENT DOIT ÊTRE UTILISÉ, ENTRETENU ET RÉPARÉ UNIQUEMENT PAR UN PERSONNEL QUALIFIÉ. ÉTUDIER LE MANUE D'INSTRUCTIONS EN ENTIER AVANT D'UTILISER, D'ENTREtenir OU DE RÉPARER L'ÉQUIPEMENT.



CAUTION: KEEP EXPLOSION PROOF COVER TIGHT WHILE CIRCUITS ARE ALIVE.

ATTENTION: GARDEZ LE COUVERCLE ANTI-EXPLOSION SERRÉ PENDANT QUE LES CIRCUITS SONT VIVANTS.

CAUTION: USE SUPPLY WIRES SUITABLE FOR 40°C ABOVE SURROUNDING AMBIENT.



ATTENTION: UTILISER DES FILS D'ALIMENTATION QUI CONVIENNENT A UNE TEMPERATURE DE 40°C AU-DESSUS DE LA TEMPERATURE AMBIANTE.

WARNING - EXPLOSION HAZARD

SUBSTITUTION OF COMPONENTS MAY IMPAIR SUITABILITY FOR CLASS I, DIVISION 2.

AVERTISSEMENT - RISQUE D'EXPLOSION

LA SUBSTITUTION DES COMPOSANTS PEUT PROVOQUER UNE ADAPTATION À LA CLASSE I, DIVISION 2.

WARNING- EXPLOSION HAZARD

DO NOT CONNECT OR DISCONNECT WHEN ENERGIZED UNLESS THE AREA IS KNOWN TO BE NON-HAZARDOUS.

AVERTISSEMENT - RISQUE D'EXPLOSION

NE PAS BRANCHER OU DÉBRANCHER LORSQU'IL EST SOUS TENSION, SAUF SI LA ZONE EST CONNUE POUR ÊTRE NON HASARDEUX.



CAUTION: A CONDUIT SEAL MUST BE INSTALLED WITHIN 18 INCHES OF THE ENCLOSURE.

ATTENTION: LE CONDUIT DOIT ÊTRE INSTALLÉ À MOINS DE 18 POUCES DU BOÎTIER.

1.2 WARNINGS

- Shock Hazard - Disconnect or turn off power before servicing this instrument.
- NEMA 4X wall mount models should be fitted with a locking mechanism after installation to prevent access to high voltages by unauthorized personnel (see Figure 5-1).
- Only the combustible monitor portions of this instrument have been assessed by CSA for 122.2 No. 152 performance requirements.
- This equipment is suitable for use in Class I, Division 2, Groups A, B, C and D or non-hazardous locations only.
- WARNING- EXPLOSION HAZARD- SUBSTITUTION OF COMPONENTS MAY IMPAIR SUITABILITY FOR CLASS I, DIVISION 2.
- WARNING- EXPLOSION HAZARD- DO NOT REPLACE FUSE UNLESS POWER HAS BEEN SWITCHED OFF OR THE AREA IS KNOWN TO BE NON-HAZARDOUS.
- WARNING- EXPLOSION HAZARD- DO NOT DISCONNECT EQUIPMENT UNLESS POWER HAS BEEN SWITCHED OFF OR THE AREA IS KNOWN TO BE NON-HAZARDOUS.
- Use a properly rated CERTIFIED AC power (mains) cable installed as per local or national codes.
- For DC powered units, DC power must be from a SELV rated source.
- A certified AC power (mains) disconnect or circuit breaker should be mounted near the controller and installed following applicable local and national codes. If a switch is used instead of a circuit breaker, a properly rated CERTIFIED fuse or current limiter is required to be installed as per local or national codes. Markings for positions of the switch or breaker should state (I) for on and (O) for off.
- Clean using only a damp cloth with no solvents.
- Equipment not used as prescribed within this manual may impair overall safety.

2 Introduction

The TracXP TXP-C20 Two channel Controller is designed to display, and control alarm event switching for two sensor points. Sensor signals may be input as 4-20mA from transmitters, or, several signal-conditioning options (see section 3.1) are available to accept sensors directly. The TXP-C20 is equipped with three alarms per channel with features such as ON / OFF delays, latching relays and alarm Acknowledge. A dedicated horn driver circuit for a local audible annunciator is also standard. Two standard 5-amp alarm relays are configurable via the “alarm voting” menu to make relays trip based upon various alarm combinations. Real-Time Clock and Calendar are also standard. Options such as 4-20mA outputs, discrete relays for each alarm and audible annunciators are easily added. RS-485 (Modbus RTU) or Ethernet (Modbus TCP) ports are also available for sending data to PC’s, PLC’s, DCS’s, or other Macurco Gas Detection controllers.

A 128 x 64-pixel graphic LCD readout displays monitored data as bar graphs, 30-minute trends and engineering units. System configuration is via user friendly menus and all configuration data is retained in non-volatile memory during power interruptions. The TXP-C20 front panel is shown below in Figure 2-1 displaying the bar graph data screen. The five button symbols below the display are magnetically activated using the supplied magnetic wand without opening the enclosure. Opening the enclosure door provides access to the “touch” keypad as shown in Figure 2-2.

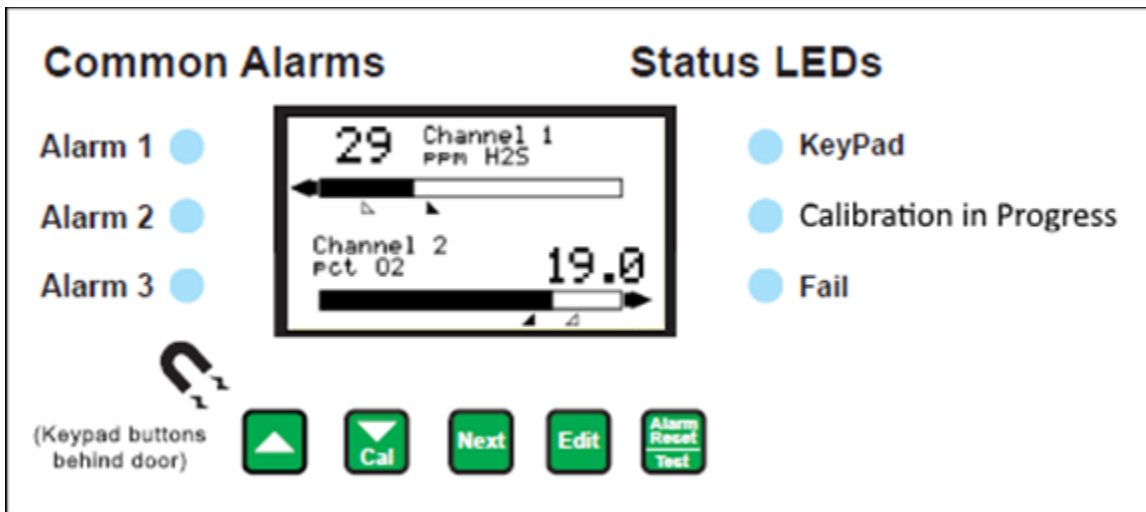


Figure 2-1 – TXP-C20 Front Panel

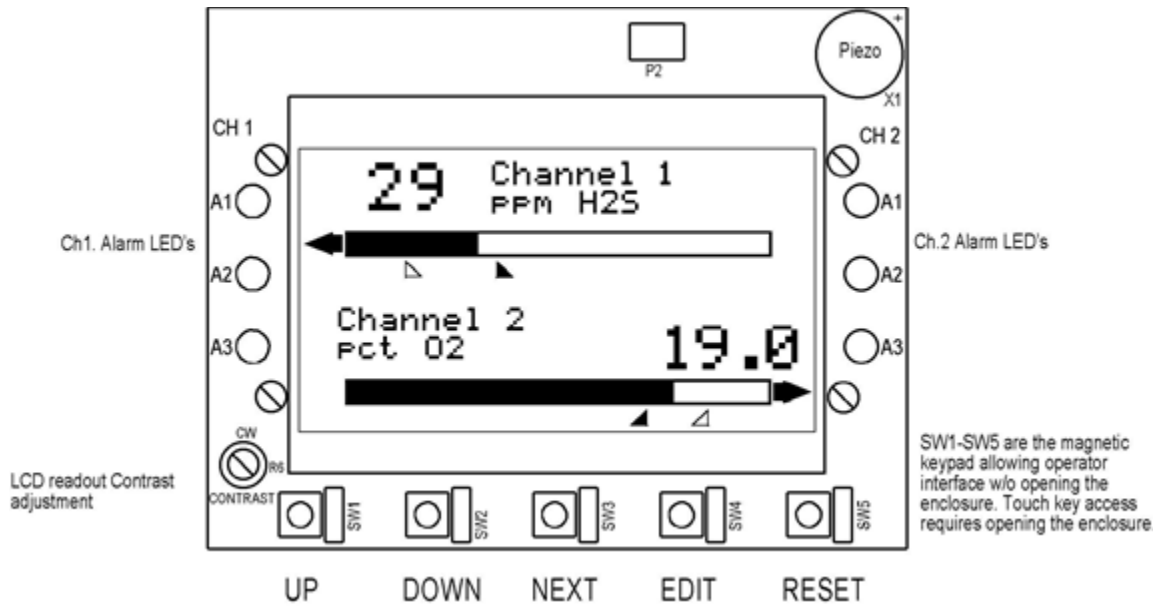


Figure 2-2 – TXP-C20 Display Board

2.1 Data Display Screens

The TXP-C20 Controller offers three modes for displaying monitored data. Each are shown below in Figure 2-3.

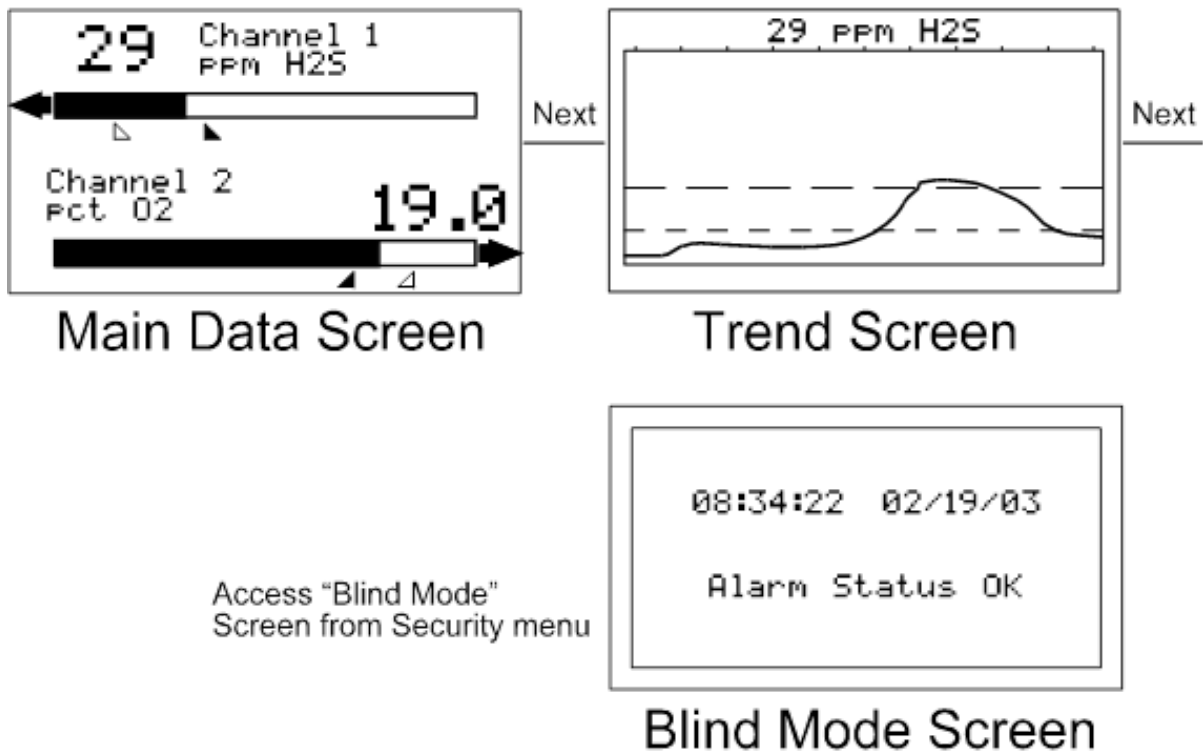


Figure 2-3 – Data Display Screens

2.1.1 Main Data Screen

The TXP-C20 Main Data screen shown at left in Figure 2-3 allows each channel to be viewed simultaneously. Engineering unit values and bar graph values are both displayed in real time. Arrows below the bars indicate alarm trip point values, making it easy to identify channels at or near alarm. The direction the horizontal 45-degree arrow side points indicates either a HIGH or LOW trip as illustrated in Figure 2-3 where Ch 1 points right indicating high level trips and Ch 2 points left indicating low level trips. Left and Right-hand arrows located at the ends of each bar graph point towards Channel Alarm LED's on the front panel associated with this reading. The 10-digit ASCII fields for identifying engineering units and Channel ID for each channel are also shown on the Main Data screen.

2.2 Trend Screen

In addition to the Main Data screen described above, the TXP-C20 also provides 30-minute trend screens for each channel as shown in Figure 2-3. Data screens are selected by the NEXT key.

2.3 Blind Mode Screen

The TXP-C20 Blind Mode screen shown at right in Figure 2-3 does not allow viewing of channel engineering unit values. It only indicates the system's alarm status and time / date. Some applications require only alarm status be displayed and prefer monitored values not be shown. A SECURITY menu (see section 2.40) allows locking all configuration parameters and having only the Blind Mode screen available for viewing.

2.4 Specifications

2.4.1 Power Supply Requirements

TXP-C20 primary power may be either 10-30 VDC or 100-240VAC. AC power requirements are 100-240 VAC 50/60 Hz @ .80-amp max (including inrush) and 40 watts max steady state, applied to TB5 on the motherboard. If AC power is not available, the primary power may be 10-30 VDC applied to TB1 on the motherboard. A back-up DC power source may also be connected to TB1 for automatic switchover if the AC power source fails. See Figures 4-1 and 4-2 for wiring information.

The basic TXP-C20 consumes only 1.5 watts of 10-30 VDC power. Optional features such as relays and analog outputs increase power consumption as described below:

- Analog Input PCB option: add wattage for each monitor connected to this board's 24 VDC terminals.
- Discrete Relay PCB option: add 1.5 watt.
- 4-20mA Output PCB option: add .5 watt.
- Bridge Sensor Input PCB option: add wattage of each sensor attached.

With an AC primary power source connected to TB1 on the motherboard, TB3 terminals 1 & 2 on the motherboard provide a maximum of 12 watts output power for powering of auxiliary external devices such as relays, lights and monitors (see Figure 4-1). Power consumed from TB3 must be included when calculating system power consumption.

IMPORTANT! TB3 only provides 24VDC power when AC is primary power.

24 VDC terminals on the Analog input option (see Figure 4-3) may also be used to power external transmitters and these loads must be calculated into the overall power budget. These terminals receive power from both the integral AC / DC power supply and the external TB1 supply as shown in Figure 4-1.

Some applications may require 24VDC power in excess of that available from the TXP-C20's integral AC power supply and thereby require an external AC/DC supply. NEC Class 2 FIFTY-WATT external supplies are available for Division 1 and Division potentially hazardous area installations and both also include a NEMA 4X weather rating.

2.4.2 Relays

Two mechanical (dry contact) Common Form C relays are standard and may be mapped to various alarm events as described in section 2.3.1. TXP-C20s may also be equipped with optional solid-state common Form A relays (see order guide for details) in applications requiring non-arcing switching. Solid-state relays are recommended for switching of highly inductive loads.

A six mechanical (dry contact) Discrete Relay option board (see section 3.1.6) provides dedicated Form C relays for ALARM 1, ALARM 2 and FAULT for both channels.



All mechanical (dry contact) relays are rated at 5 Amp for 28 VDC and 250 ~VAC RESISTIVE loads. **IMPORTANT:** Appropriate diode (DC loads) or MOV (AC loads) snubber devices must be installed with inductive loads to prevent RFI noise spikes.

Optional solid-state relays are rated at 2 Amp 12-280 ~VAC (600Vpk).

Relay wiring should be kept separate from low level signal wiring.

2.4.3 Ambient Temperature Range

- -25 to 60 degrees C°

2.4.4 Humidity Range

- 0 TO 90% R. H. Non-Condensing

2.4.5 Altitude

- Recommended up to 2000 meters

2.4.6 Housings / Installation Categories

- *NEMA 4X wall mount. DIV 2 Groups A,B,C,D; Category II and pollution degree 3; NEMA 4X; IP66
- *NEMA 7 wall mount for DIV 1 & 2 Groups B,C,D; includes 'O' Ring in door to satisfy NEMA 4 rating.

*Includes standard non-intrusive magnetic keypad.

2.4.7 Approvals

CSA C22.2 No 1010.1 and ISA S82.02; CSA C22.2 No 152 for combustibles; UL 1604 / C22.2 No 213 (Div 2 Groups A, B, C, D); EN55011 & EN61000 (CE Mark). CSA File # = 219995 and may be seen at: CSA-International.org.

3 Installation Instructions



Note: This manual will simply refer to the operation and installation of a TXP-C20.

3.1 Basic Operation

The TXP-C20's graphic LCD displays monitored data and with the 5-button keypad also serves as the system's operator interface. All TXP-C20 configuration variables are entered with this operator interface using SETUP menus accessed by pressing **EDIT** from either data screen. This Setup mode may be exited manually by pressing **NEXT**, or automatically when no keys are pressed for 5 minutes. Alarm relays and front panel alarm LED indicators remain active during the Setup mode. Alarm LED's flash upon new alarms and become steady after Acknowledged by pressing the ALARM RESET key. A SECURITY menu offers a password feature to prevent tampering with TXP-C20 parameters.

Several signal conditioning input options are available to allow the TXP-C20 accept sensor and other analog signals directly (see section 4.1). A "sign-on" screen appears briefly after power is applied that indicates what type input / output options the unit is configured with.

3.2 Setup Menu Configuration

Variables inside the CHANNEL (see section 2.2) and SYSTEM (see section 2.3) menu trees allow TXP-C20 configuration for a wide range of monitoring applications. Select the desired menu by scrolling with UP/DOWN and then EDIT to enter each menu. Figure 3-1 illustrates the menus tree for configuring Channel variables on its right side and System specific variables on the left side. Channel variables affect only the specific channel selected while System variables are related to features not specific to either channel.

3.3 Changing Menu Variables using the Keypad

Upon entering a menu, a pointer controlled by the UP/DOWN keys indicates the selected variable. Some are simple YES/NO or ON/OFF entries toggled by pressing the EDIT key. Others, such as Channel ID and Eunits fields may have many ASCII character possibilities. Allowed ASCII characters are as follows: ABCDEFGHIJKLMNOPQRSTUVWXYZ[\]^_`abcdefghijklmnopqrstuvwxyz blank space !"#\$%&`()*+,-./0123456789:;<=>?@. Notice the often used blank character is located after lower case z and before the exclamation point !. EDIT places a cursor under the item and UP/DOWN scrolls through each allowed entry. The NEXT key moves the cursor to the next position within a field. When the field is complete, EDIT clears the cursor and loads the field into non-volatile memory where it is retained indefinitely. Without a cursor present, the NEXT key closes open menus in reverse order and returns the LCD to the data display.

3.3.1 TXP-C20 Setup Configuration Menus

The SETUP menu shown in the middle of Figure 3-1 and in Figure 3-2 below is reached by pressing EDIT with any data display present. This is the entry-level screen to ALL Channel, System and Security menus. It also shows the revision of firmware operating in the TXP-C20. Use the UP/DOWN keys to move the pointer to the desired menu and press the EDIT key.

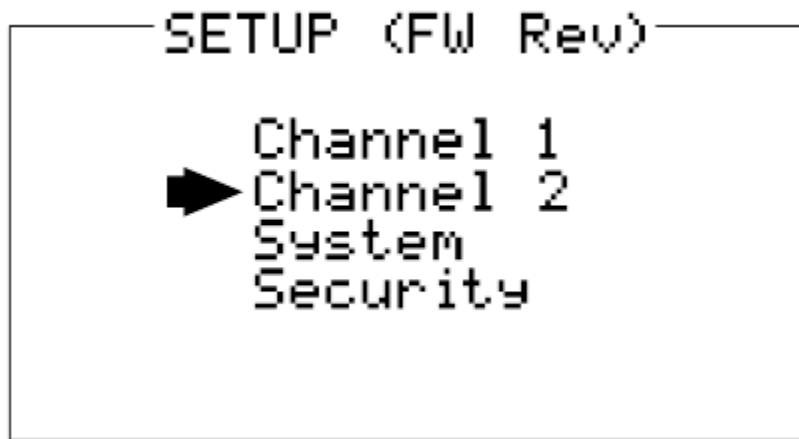


Figure 3-2 – Setup Screen

3.3.2 Channel Setup Entry Menu

The CHANNEL menu shown below in Figure 3-3 allows configuration of all variables for the selected channel. These are Alarm 1, Alarm 2, Alarm 3, Configure and Calibrate.



Figure 3-3 – Channel Setup Screen

3.3.3 Alarm 1 / Alarm 2 / Alarm 3 Setup Menus

Alarms 1, 2 and 3 have identical menus. The only difference between each is A1 front panel LED indicators are yellow while A2's and A3's are red. Typical applications often have A1 set at a WARN level, A2 at a HIGH level and A3 at a negative FAULT level. However, it is important to understand there is no functional difference between A1, A2 and A3. Since their configuration menus are identical, only one is shown in Figure 3-4.

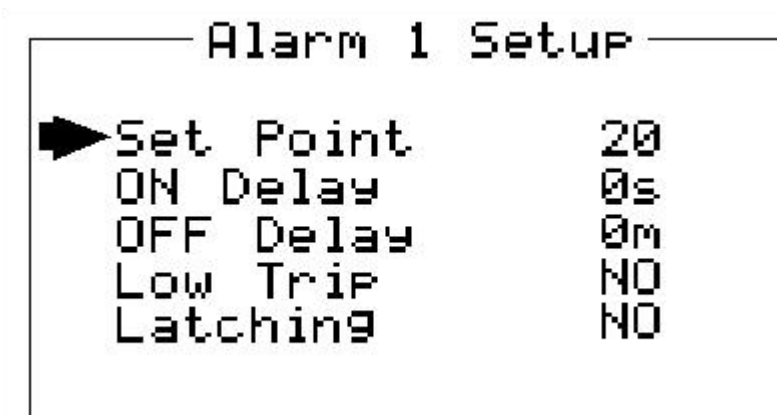


Figure 3-4 – Alarm Setup Screen

- **Set Point** is entered in engineering units and determines the value where the alarm trips. For example, if a channel monitors 0-50 ppmH₂S and the desired alarm level is 10 ppm, the correct entry is 10.00. A one percent dead band prevents alarm chatter. This means after tripping an alarm the input must move at least 1% of full scale back through the setpoint for the alarm to auto reset.
- The **ON Delay / OFF Delay** entries allow **ON** and **OFF** time delays affecting how long the trip-point must be surpassed before an alarm event transition occurs. **ON** delays are limited to 10 seconds while **OFF** delays may be as long as 120 minutes. Delays are useful in many applications to prevent nuisance alarms and unwanted cycling into and out of alarm conditions.
- **Low Trip** is set for **NO** for increasing alarms or **YES** for decreasing alarms to determine if the alarm activates upon exceeding or falling below the set-point.
- **Latching** determines either manual or automatic alarm reset operation. **YES** requires a manual Alarm Reset to unlatch the alarm even though an alarm condition no longer exists. **YES** also causes this alarm's common

relay, front panel LED, and optional discrete relay to latch. **NO** allows all outputs for this alarm to automatically reset after the alarm condition clears.

Discrete LED indicators on the front panel indicate the status of each alarm. Any new alarm event causes the associated LED to flash until an Alarm Reset occurs causing an acknowledged steady on condition. Operators should recognize new alarms by a flashing LED. Alarm Reset also acknowledges, or deactivates, audible devices driven by the AUDIBLE ALARM option connector J2 (see Figure 4-3)

3.3.4 Configure Menu to Define Channel

The channel setup menu after the alarm menus is CONFIGURE. It allows setting Name and EUNIT ASCII fields, defining the measurement range, and how many decimal points of resolution the reading will have.

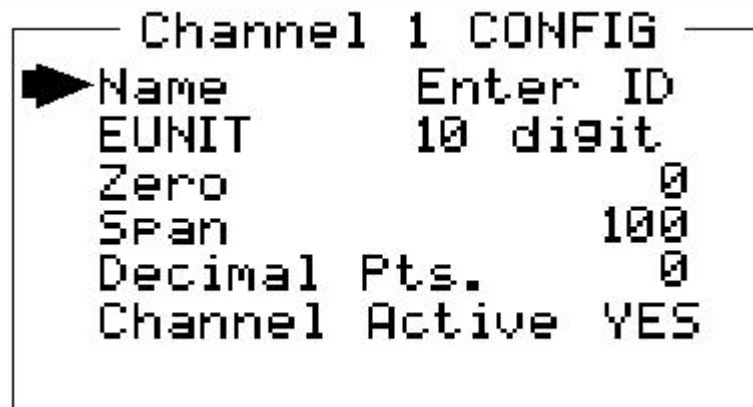


Figure 3-5 – Config Screen

3.3.4.1 Name / EUnits ASCII Data Fields

The first two items in this menu are for entering the 10-character channel Name and engineering unit ASCII fields. Name should describe the channel's data in user terminology such as tag # or other description. Eunits should define the units of measure for what this channel is to display. Several standard Eunits fields are available by pressing EDIT but if these are inappropriate, a CUSTOM field allows editing of each character. Section 2.2 describes how to modify these fields using the keypad.

3.3.4.2 Input Measurement Range

The ZERO / SPAN menu entries allow configuration of the measurement range displayed by this channel. Measurement Range defines the range of the input signal's engineering units. For example, if a channel's input is 4-20mA from a transmitter monitoring 0 to 10ppm chlorine, then the **Zero** value should equal 0.000 and the **Span** value equal 10.00. Four digits must be entered so trailing 0's may appear here that are not displayed on other data screens.

3.3.4.3 Decimal Point Resolution

Resolution of the displayed channel value is configured in this menu by setting the number digits trailing the decimal point. Displayed readings are limited to a maximum of four digits with a polarity sign. Auto-ranging displays the highest resolution allowed by this menu's decimal point entry. For example, a range of 0 to 100ppm and two decimal points reads 0.00 at 0ppm and 100.0 at 100ppm. This may be undesirable due to the high resolution at zero unless the sensor's output is extremely stable. If decimal points are limited to one, the 0ppm reading becomes 0.0

and the 100ppm reading remains 100.0. Resolution may be limited further by setting decimal points to 0 where in the above example, 0ppm reads 0 and 100ppm reads 100.

3.3.4.4 Turning Off Unused Channels

The **Channel Active?** menu entry asks if this channel is to be utilized. OFF causes the controller to never process inputs applied to this channel and no alarms are tripped or data displayed. Inactive channels have a line drawn through them on the Setup screen to indicate it is turned off.

3.3.5 CAL Setup Menu

The TXP-C20 CAL MODE feature supports pushbutton calibration of zero and span values. This feature should be utilized only when there are no other zero/span controls within the monitoring system since it is inappropriate to calibrate a signal at more than one point. Therefore, if calibration will be performed at another transmitter or monitoring device, the TXP-C20 CAL MODE feature should not be used.

The CAL SETUP menu allows entering the correct Zero Gas & Span Gas set-point values needed to calibrate the sensor. These are entered in the same engineering units as input range.

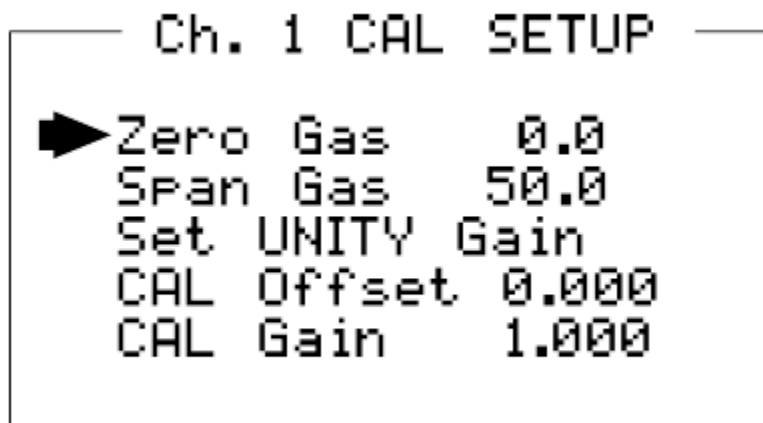


Figure 3-6 – CAL Setup Screen

3.3.6 Calibrate Input Menu

Calibration is the most important function ensuring correct operation of TXP-C20's equipped with sensor inputs. The CAL MODE (flow chart shown in Figure 3-7) is designed to make calibration quick, easy and error free. A successful ZERO and SPAN calibration requires only five keystrokes. Optional 4-20mA outputs (if equipped) transmit 1.5mA during CAL MODE and 4mA during the subsequent CAL PURGE delay to prevent external alarms during calibration. Local TXP-C20 alarm relays are inhibited during CAL MODE. Unintentional calibrations may be reset by the Set UNITY menu item. Set UNITY resets Cal OFFSET to 0 & Cal GAIN to 1 which is useful for returning the calibration to a known starting place. Sensor aging may be monitored by recording zero and span readings at Unity Gain when the sensor is new, and again later when degradation may have occurred. CAL MODE automatically exits if no keystroke is detected after 5 minutes.

Follow these TXP-C20 sensor calibration guidelines:

- Calibration accuracy is only as good as the calibration standard accuracy. Macurco Gas Detection recommends calibration standards with NIST (National Institute of Standards and Technology) traceable accuracy to increase the validity of the calibration.

- Do not use a gas cylinder beyond its expiration date.
- Calibrate a new sensor before use.
- Allow the sensor to stabilize before starting calibration (approximately 5 minutes).
- Calibrate on a regular schedule. (Macurco Gas Detection recommends once every 3 months, depending on use and sensor exposure to poisons and contaminants.)
- Calibrate only in a verified clean atmosphere free of background gas or using appropriate zero gas.

Use the following step-by-step procedure to perform ZERO and SPAN calibrations.

1. To enter the CAL MODE from any data display, press the dual-purpose DOWN / CAL key and within 5 seconds press the EDIT key.
2. Using the Cal-Cup and following the instructions on the screen, apply a clean ZERO gas or be sure there is no background target gas in the monitored area. After the reading is stable, (approximately 1 minute) press the EDIT key to perform a ZERO calibration.
3. If the ZERO calibration is successful, CAL MODE automatically proceeds to the SPAN check.
4. Apply the correct SPAN gas at .5 liters/min. After the reading is stable, (approximately 1 minute) press the EDIT key to perform a SPAN calibration.

WARNING: The SPAN gas used must match the value specified since this is what the TXP-C20 will indicate after a successful SPAN calibration. The Span Gas value may be edited if it becomes necessary to apply a different gas concentration (see Span Gas in section 2.2.5).

5. If the SPAN calibration is successful, the display flashes “REMOVE CAL GAS” and starts the CAL PURGE delay.
6. CAL MODE will be complete after the end of the CAL PURGE delay.

The flow chart in Figure 4-7 illustrates the above procedure. UP, CAL, NEXT & EDIT labels indicate keystrokes (CAL/DOWN is a dual-purpose key). The CAL MODE information screen (top of the chart) is available for advanced users to see Offset / Gain calibration constants and live analog to digital converter (A/D) counts. Span Gas calibration values may also be edited from this screen. Holding the UP key, for 5 seconds during CAL MODE, displays this screen.

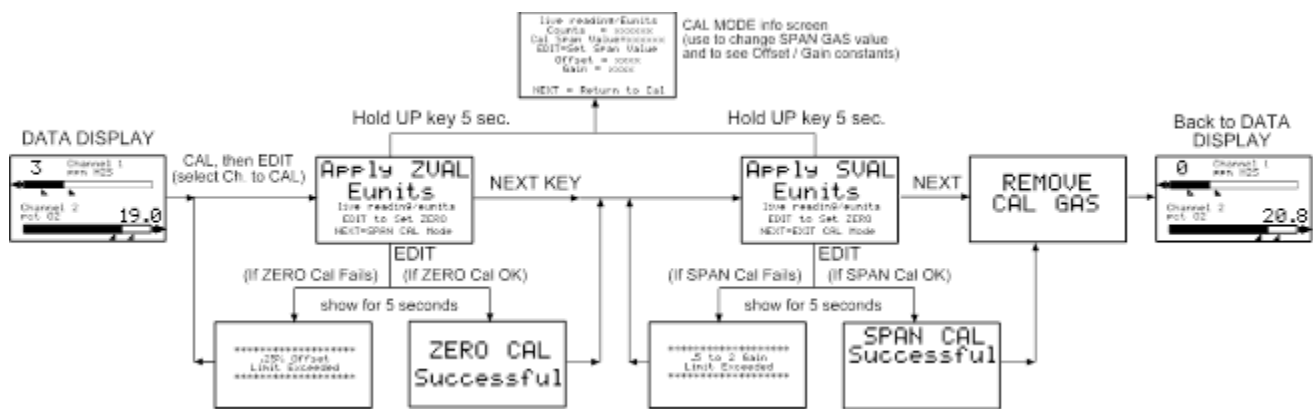


Figure 3-7 – Cal Menu Tree

3.4 System Configuration Menus

Several items needing configuration are not specific to either channel but affect the entire TXP-C20 system. These are located in the system tree entry menu shown on the left side of Figure 3-1. System menus are accessed by

pointing to the desired item and pressing EDIT. The Diagnostics menu group (section 2.3.5) is useful for testing relay and analog I/O without stimulating the input.

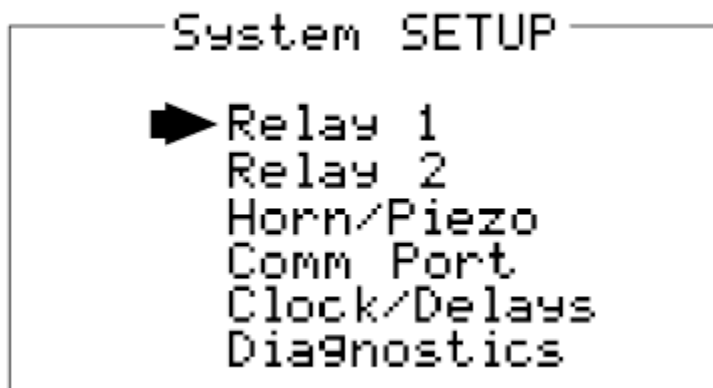


Figure 3-8 – System Configuration Menu Screen

3.4.1 Relay 1 / Relay 2 Menus

The Relay 1 & Relay 2 menus are identical except Relay 2 has an acknowledge feature useful if it controls an audible device. All other Relay 1 & Relay 2 features are identical and therefore are discussed only once.

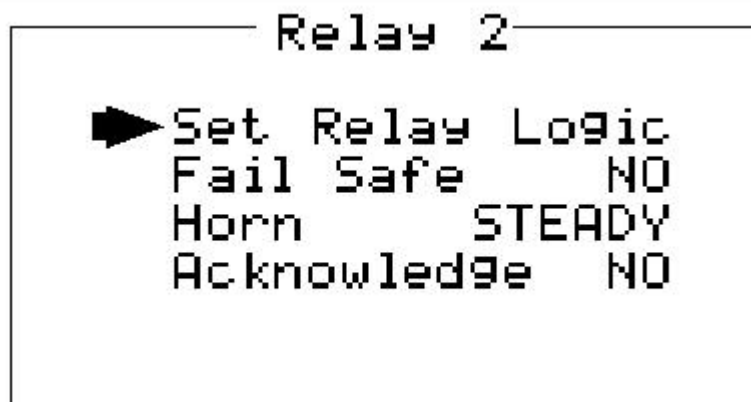


Figure 3-9 – Relay Menu Screen

- The Set Relay Logic menu shown below in Figure 3-10 offers additional “voting” flexibility by controlling the channel alarm combinations that will trip this common alarm relay. “OVR” on the menu’s right side stands for override and means ANY of the selected alarms will activate the relay. The “OR” / “AND” columns work together based upon the following logic equation:

[AND column selections] AND WITH [OR column selections] = relay activation.

For example, if Ch1A1 & Ch2A1 are selected in the AND column and Ch1A2 & Ch2A2 are selected in the OR column, the logic equation is [Ch1A1 AND Ch2A1] AND WITH [Ch1A2 OR Ch2A2]. This requires both A1’s along with either A2 to activate the relay.

Relay 1		OR	AND	OUR
Ch2	A1	<input type="checkbox"/>	<input checked="" type="checkbox"/>	<input type="checkbox"/>
Ch2	A2	<input checked="" type="checkbox"/>	<input type="checkbox"/>	<input type="checkbox"/>
Ch2	A3	<input type="checkbox"/>	<input type="checkbox"/>	<input type="checkbox"/>
Ch1	A1	<input type="checkbox"/>	<input checked="" type="checkbox"/>	<input type="checkbox"/>
Ch1	A2	<input checked="" type="checkbox"/>	<input type="checkbox"/>	<input type="checkbox"/>
Ch1	A3	<input type="checkbox"/>	<input type="checkbox"/>	<input type="checkbox"/>

Figure 3-10 – Relay Statuses Screen

- **Failsafe** controls relay activation for the common relays. **Failsafe ON** causes these relays to de-energize during alarm conditions and energize when there is no alarm. With **Failsafe** active, a power failure forces the relay contact to the alarm position.
- **Horn** controls how activating this relay will affect the horn driver circuit connected to J2 on the motherboard. Choices are **NO**, **STEADY** or **PULSE**. Warning level alarms might be set to pulse the horn with high alarms set for steady. Personnel then know which alarm level is present by hearing the pulsing or steady horn.
- Turning **Acknowledge ON** (not allowed on Relay 1) allows Relay 2 to be deactivated during alarm conditions by an Alarm Reset. This is useful if another audible device is being driven by the relay. The acknowledge feature is not available for Relay 1 since it is often used for driving a warning light and Relay 2 for driving a horn. It could be dangerous if an operator acknowledged the horn AND the light since no indication of the high alarm condition remains.

3.4.2 Horn / Piezo Menu

- The TXP-C20 display PCB is equipped with a small audible piezo that chirps when keys are pressed providing an audible feedback to the operator. It also may be set to audibly indicate alarm conditions by entering YES into the **Piezo On** menu item in Figure 3-11. This piezo will then mimic the **Horn** settings menus described in section 3.3.1.
- The **Horn ACK** menu item determines if the Horn Driver output may be acknowledged by an Alarm Reset. **YES** causes an Alarm Reset to silence the horn even though an alarm condition remains active.

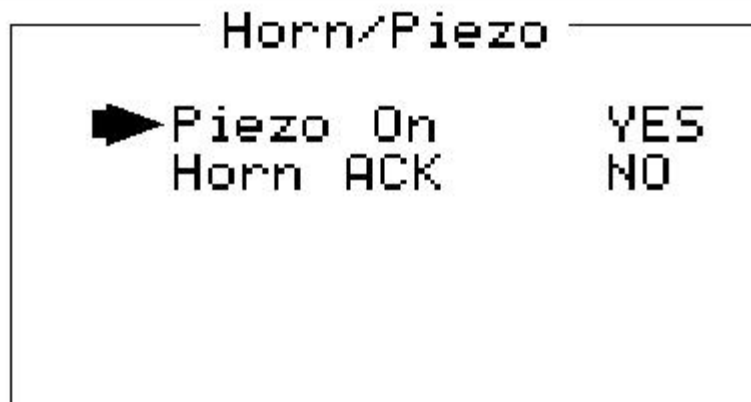


Figure 3-11 – Horn/Piezo Screen

3.4.3 Comm Port Menu

The system Comm Port menu allows setting RTU address for the optional slave Modbus serial port. This slave port may be used to transfer TXP-C20 data to a host device such as a PC, PLC, DCS or even another Macurco Gas Detection Controller. The slave port is addressable, allowing many TXP-C20 controllers to be connected to a single RS-485 cable.



Figure 3-12 – Communications Screen

3.4.4 Clock / Delay Menu

- The TXP-C20 monitors signals from sensors that may require varying times to stabilize after power is applied. The Warmup Delay menu item allows setting how long alarm relays remain disabled after power is applied.
- Cal Delay determines how long alarm relays are inhibited after completing a calibration.
- The TXP-C20 is equipped with a 24-hour clock and calendar. Time and Date menu items are for setting the correct time and date. Time of day must be entered in 24-hour mode. For example, 6:00:00 PM = is indicated as 18:00:00.

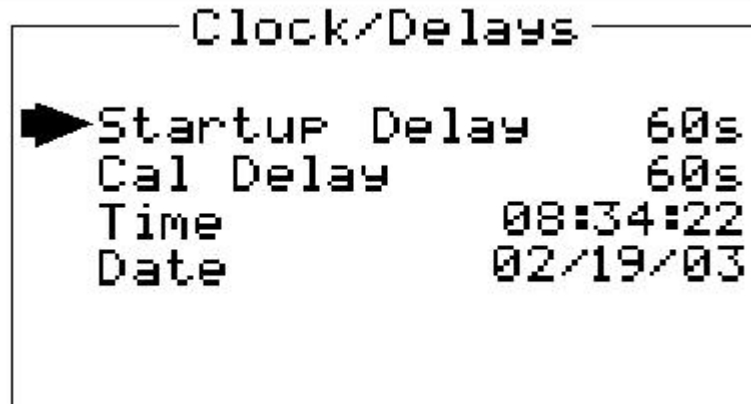


Figure 3-14 – Clock/Delays Screen

3.4.5 Diagnostics Menu

WARNING: Alarm processing is halted with the Diagnostics mode active.

The **Diagnostics** menu in Figure 3-13 is useful for testing standard and optional Input / Output devices such as relays and 4-20mA outputs. Diagnostic menu items are described below:

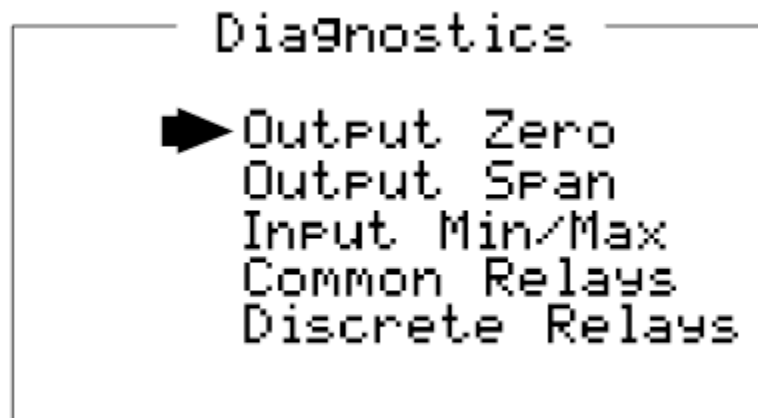


Figure 3-13 – Diagnostics Screen

Output Zero / Output Span DAC value (digital to analog converter) menu items are set at the factory to calibrate optional 4-20mA Output boards. If field adjustment is required, monitor the 4-20mA output and set the Output Zero DAC value for 4mA on each channel then set the Output Span DAC value for 20mA on each channel. These menu items may also be used to drive 4-20mA into receiver devices without stimulating sensor inputs.

Input Min / Max ADC (analog to digital converter) menu items are set at the factory with default values for each channel of either 200 to 1000 counts, or, 400 to 2000 counts. Direct sensor input options (see Section 3) default to the 10-bit settings of 200 to 1000 counts. The 4-20mA input option defaults to the 11-bit settings 400 to 2000 counts. These settings may be utilized to affect what input values provide ZERO and SPAN readouts. For example, if an application required 8mA input to a 4-20mA input option board to read ZERO at 800 counts, an Input Min setting of 800 would accomplish this.

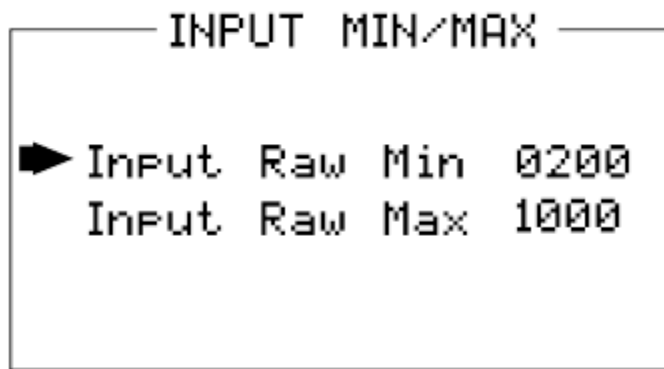


Figure 3-15 – Input Min/Max Screen

Common Relays menu item allows manual activation of the common relays and optional local audible piezo.

Discrete Relays menu item allows manual activation of the optional Discrete Relay boards.

3.5 System Security Menu

A 4-digit Pass Code entered and confirmed in this menu item locks all menus. Viewing menus is not denied but attempts to edit variables flashes the Locked message on the LCD.

Authorized individuals locking the system should first enter a name, phone #, or other contact information into the 12-character field on the top line of the Security screen. To lock or unlock the system the correct 4-digit authorization number must be entered into the Pass Code field. It is very important to remember the 4-digit code since the factory must be consulted if it is lost.

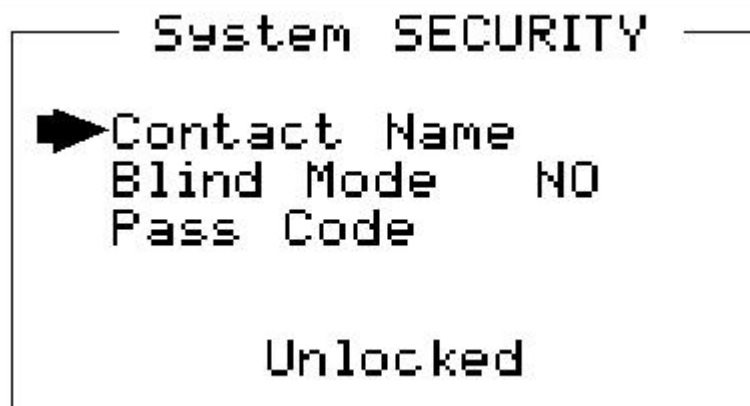


Figure 3-16 – System Security Screen

4 Motherboard Interface PCB

The TXP-C20 Motherboard shown below in Figure 4-2 is the interface between the Display / CPU assembly and all other system I/O devices. The Display / CPU assembly attaches to the motherboard with 4-standoffs and connects via ribbon cable to S1. Several input options, described in the following sections, are available that may be installed into the Sensor Input Option P1 connector located on the lower left side of the motherboard. The middle position P2 connector is for the 4-20mA Output option and the right position P3 connector is for the Discrete Relay option. Other option devices such as Modbus RTU RS-485, Ethernet and a data logger may also be installed to connectors located on the Motherboard.

The Motherboard PCB contains a 24 VDC universal input (100-240 VAC) switching power supply with up to 350mA available at TB3 Auxiliary Power Output terminals. If AC power is unavailable, or if a DC battery back-up supply is needed, TB1 provides terminals for DC power input. Blocking diodes isolate internal and external DC supplies as shown in Figure 4-1. See section 1.2.1 for additional power source information.

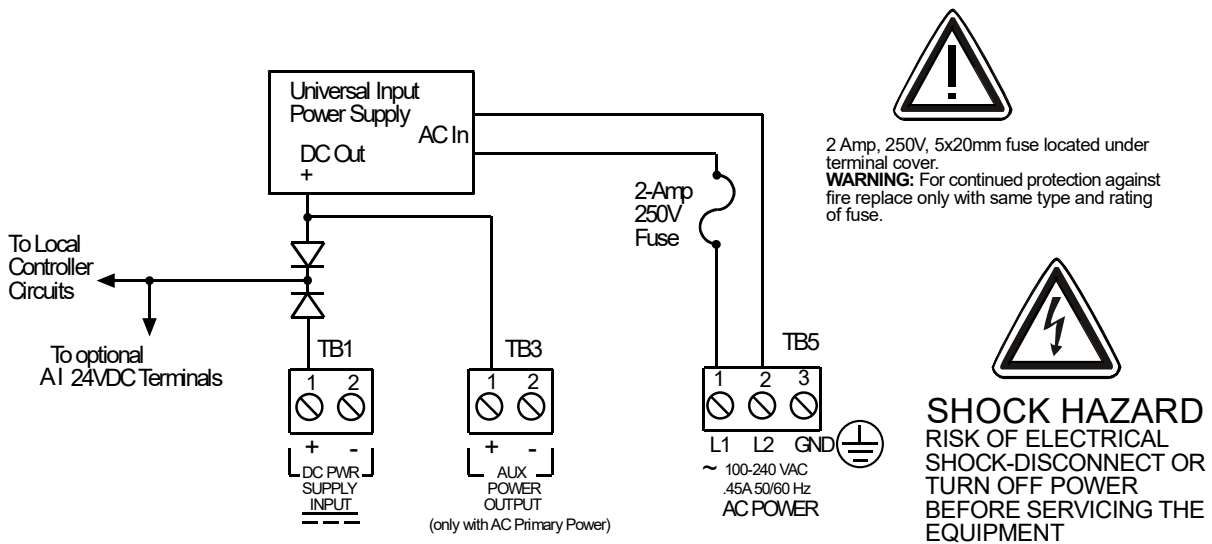


Figure 4-1 – Motherboard Power Connection

TB2 offers field terminals for a remote alarm reset switch. The motherboard also includes alarm relays 1 & 2 (K1 & K2) and their indicating LED's. TB4 provides field wiring terminals for these relays. TB5 is for connection to the 100-240 VAC power source. J2 is a 2-pin connector for powering the optional audible annunciator.

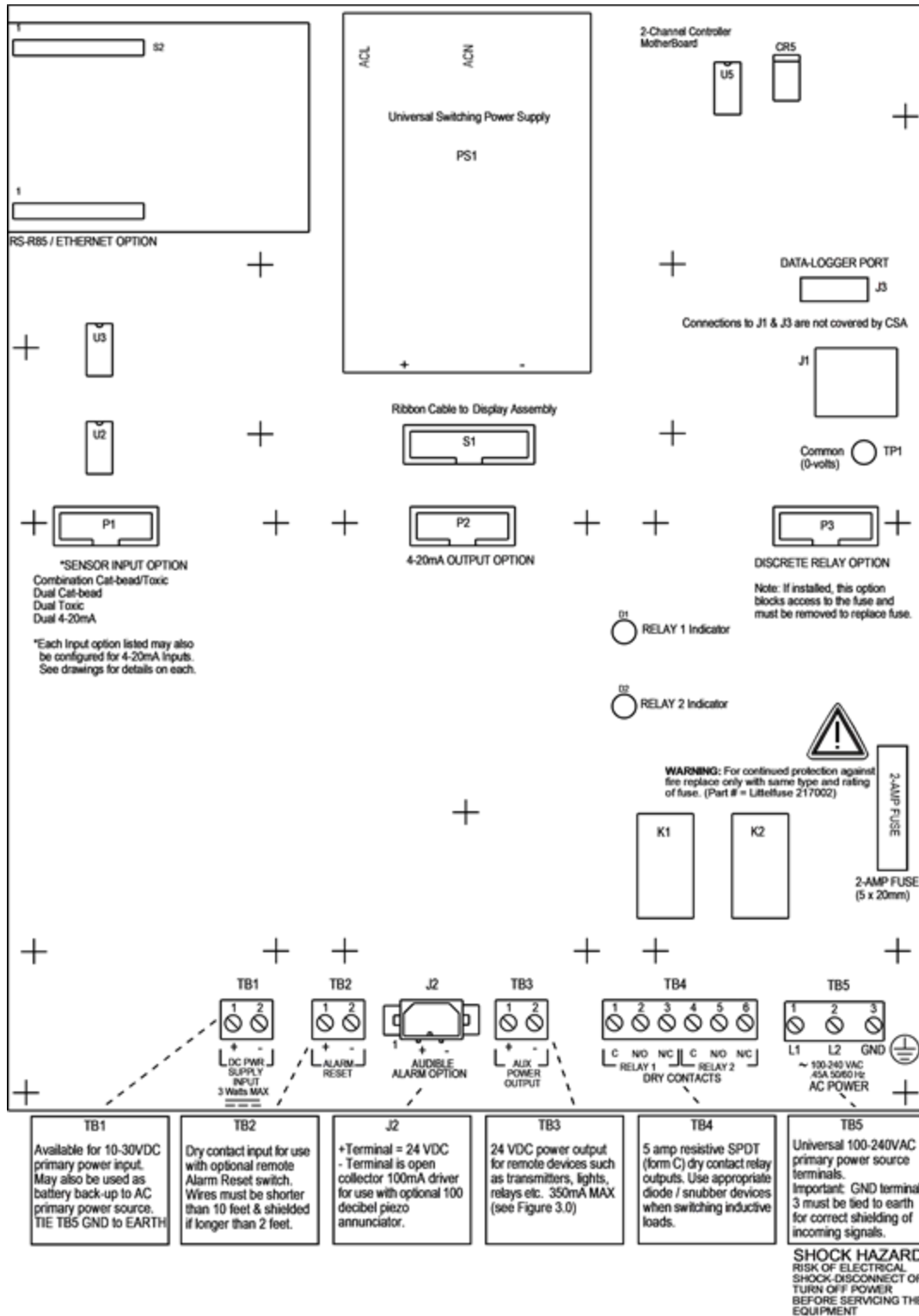


Figure 4-2 – Motherboard

4.1 Input / Output Optional PCB's

P1, P2 and P3 connectors on the motherboard offer unique positions for I/O options described in this section. A screen appears briefly after power-up indicating what I/O options are connected. Input options installed into the P1 position may be either 10-bit or 12-bit and the Input Min / Max menu shown in Figure 3-15 must be set accordingly. The 4-20 mA input option's default setting is 400 – 2000 counts and the direct bridge / electrochemical sensor inputs each have a default setting of 200 – 1000 counts.

P2 is reserved only for the dual 4-20mA Output option and P3 is reserved only for the Discrete Relay option. Connector locations, relative to each option's mounting screws, prevent incorrect installation.

4.1.1 Optional Analog Input Board

Important! PCB's may only be installed into motherboard position P1.

12-bit Analog input PCB option, shown in Figure 4-3 allows interfacing TXP-C20's to field transmitters having 4-20mA or voltage outputs. Remove socketed 100-ohm R1 or R2 terminators for 0-4 VDC max voltage inputs. The dual 4-20 mA input board utilizes a 12-bit A/D converter such that 4mA provides 400 counts and 20mA 2000 counts. Min/Max raw counts menus default to 400/2000 but may be adjusted between 0/4095 as described in the Input Min / Max discussion in section 2.3.5. TB1 provides Channel 1 & Channel 2 + / - terminals for receiving analog inputs. TB1 also provides 2-terminals connected to the TXP-C20 internal 24 VDC power supply for powering external transmitters. Figure 4-3 shows correct wiring for both 2-wire and 3-wire transmitters.

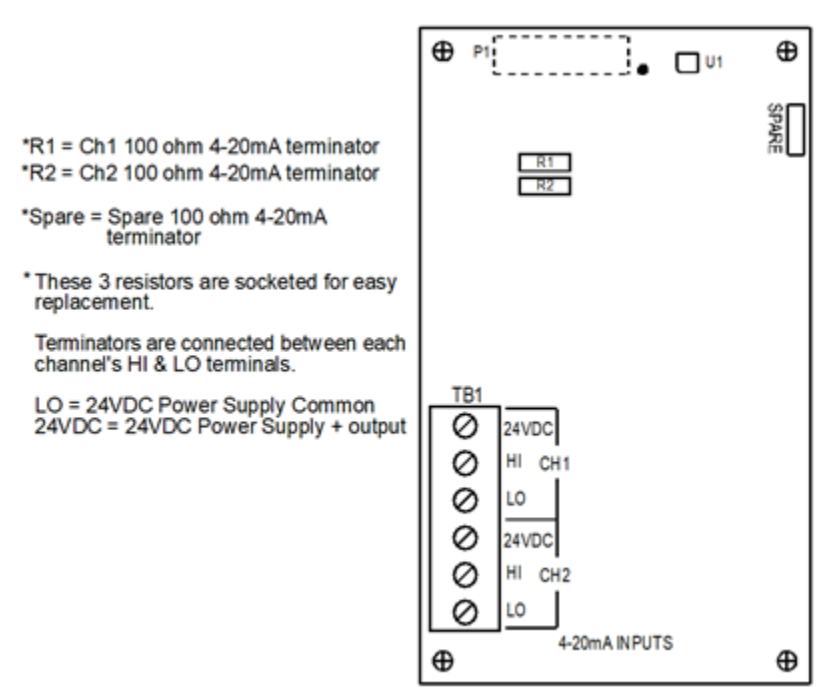


Figure 4-3 – Optional Analog Input Board

4.1.2 Optional Bridge / EC Sensor Input Board

Important! Bridge / EC Sensor PCB's may only be installed into motherboard position P1.

The 10-bit Bridge / EC Sensor input option shown in Figure 4-4 allows a bridge sensor into channel one and an electrochemical sensor into channel two. This combination is useful for monitoring volatile and toxic (or oxygen)

gases at the same location. The bridge sensor channel includes bridge amplifier, balance potentiometer, and adjustable switching regulator for setting the correct sensor excitation voltage. A 3-position coarse gain jumper allows setting the gain of the bridge amplifier. Bridge sensors not mounted to the TXP-C20 enclosure at the factory will require the Initial Setup calibration procedure described in section 3.1.4. After performing the one time only Initial Setup all subsequent calibrations are by the TXP-C20's electronic Cal Mode menus (see section 2.2.5). Sensors mounted locally to the TXP-C20 normally do not require Initial Setup since it is performed at the factory.

The electrochemical channel has a preamplifier, bridge amplifier, sensor coefficient jumpers and a 2-position coarse gain jumper for setting the gain of the bridge amplifier. Socketed resistor R11 controls the gain of the preamplifier and is installed at the factory (consult factory if sensor gas type is to be changed after shipment). Fault supervision circuitry forces the TXP-C20 into a FAULT condition upon sensor failure or removal.

The Bridge / EC input option may also be configured to accept 4-20mA inputs for mixing a direct sensor input and a current loop into the same board. Placing either channel's 2 position SENSOR/4-20mA jumper (JP4 or JP5) into the 4-20mA position, and installing the associated precision 100 ohm socketed resistor, allows 4-20mA signals to be applied to the mA+ / mA- terminals (see Optional 4-20mA notes in Figure 4-4). 100-ohm resistors are taped to the inside of the TXP-C20 enclosure. Bridge amplifiers are bypassed in this configuration. Figure 4-4 shows jumper options with channel 1 configured for a 4-20mA input and channel 2 for a sensor input.

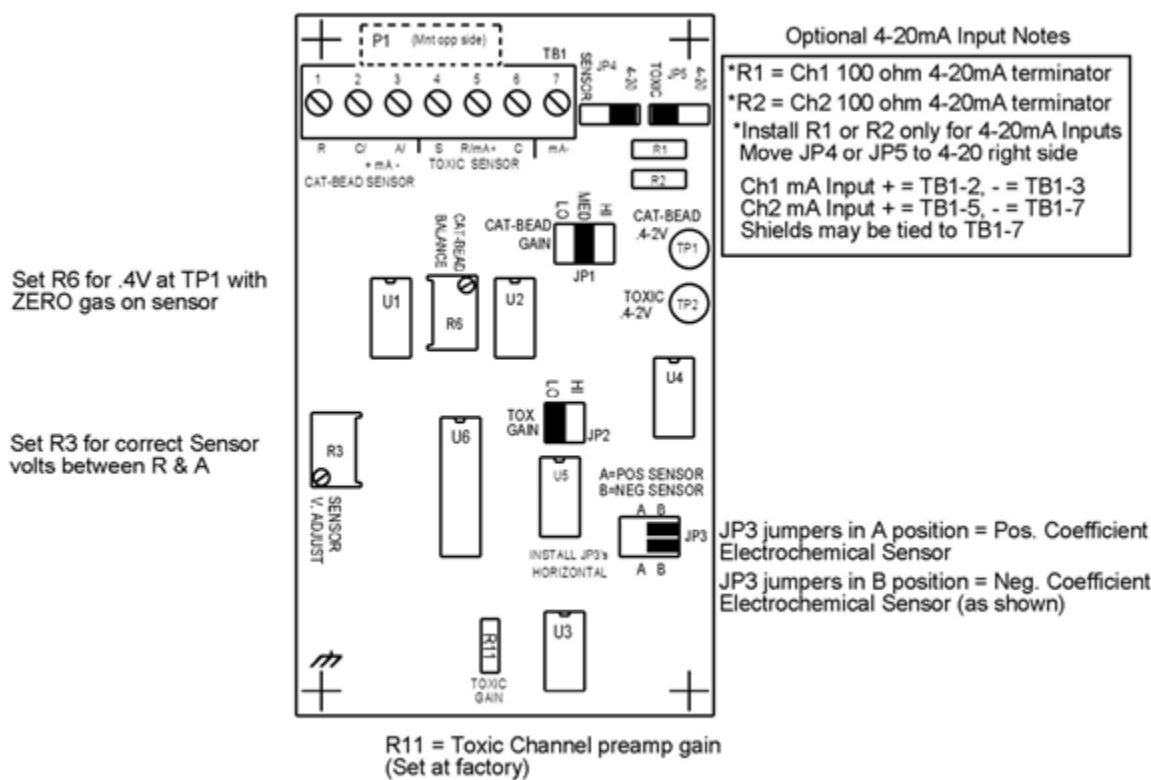


Figure 4-4 – Optional Bridge / EC Sensor Input Board

4.1.3 Optional Bridge Sensor Input Board

Important! Dual Bridge Sensor input PCB's may only be installed into motherboard position P1.

The 10-bit Dual Channel Bridge Sensor Input option shown in Figure 4-5 allows these popular gas detectors to be connected directly to the TXP-C20 without additional signal conditioning or transmitters. Each channel is equipped

with a bridge amplifier, balance potentiometer, and an adjustable switching regulator for setting the correct sensor excitation voltage. A 3-position coarse gain jumper allows setting the gain of the bridge amplifier. Fault supervision circuitry forces the TXP-C20 into a FAULT condition upon sensor failure or removal.

This option may also be configured to accept 4-20mA inputs for mixing a sensor and a current loop into the same board. Placing either channel's 2 position SENSOR/4-20mA jumper (JP3 or JP4) into the 4-20mA position, and installing the associated precision 100 ohm socketed resistor, allows 4-20mA signals to be applied to the mA+ / mA- terminals (see Optional 4-20mA notes in Figure 4-5). 100-ohm resistors are taped to the inside of the TXP-C20 enclosure.

Bridge sensors not mounted to the TXP-C20 enclosure at the factory will require the Initial Setup calibration procedure described in section 3.1.4. After performing the one time only Initial Setup all subsequent calibrations are by the TXP-C20's electronic Cal Mode menus (see section 2.2.5). Sensors mounted locally to the TXP-C20 normally do not require Initial Setup since it is performed at the factory.

4.1.4 Bridge Sensor Initial Setup

Bridge sensors vary widely in power requirements and sensitivity. It is therefore important to configure each channel to match the sensor with which it will operate. Sensors attached to the TXP-C20 enclosure at the factory have already had Initial Setup.

1. Prior to connecting remote sensors, apply power to the system. Measure the voltage between each channel's A and R terminals and set the Voltage Adjust potentiometers for the correct sensor excitation voltage (remove TXP-C20 terminal cover). This may range from 1.5 volts to 7.5 volts depending upon sensor specifications. Sensors may be damaged by accidental over voltage conditions. It is recommended the Voltage Adjust potentiometer screws be covered by a dollop of RTV or similar material after completion of this procedure.
2. Remove system power and connect sensor wires to the A-C-R terminals. Reapply system power and confirm correct voltage across each sensor's A & R terminals. Note if sensor wires are long, it will be necessary to measure the excitation voltage at the sensor end to compensate for $I * R$ voltage losses in the wiring.
3. With the minus voltmeter lead on TB2-2 (common), connect the plus lead to the channel's red test point. With zero air on that sensor, adjust its Balance potentiometer for .4 volts at the test point.
4. Apply 50% span gas to the sensor and allow the test point voltage to stabilize. Two volts = 100% input to the A – D Converter and .4 volts = 0%. Therefore, 1.2 volts = 50%. Place the 3 position Coarse Gain jumper into the position which reads between 1.1 volts and 1.4 volts on the test point with 50% gas on the sensor. Gain settings for each jumper position are as follows: no jumper = 1, LO = 7, MED = 12, HI = 24. Multiple jumpers have an additive affect upon gain, so for example the LO and MED jumpers together provide a gain of 19.

Initial setup is now complete and normally only requires repeating if a sensor is replaced. Final calibration of this channel may now be performed using the TXP-C20's electronic Cal Mode feature described in section 2.2.5.

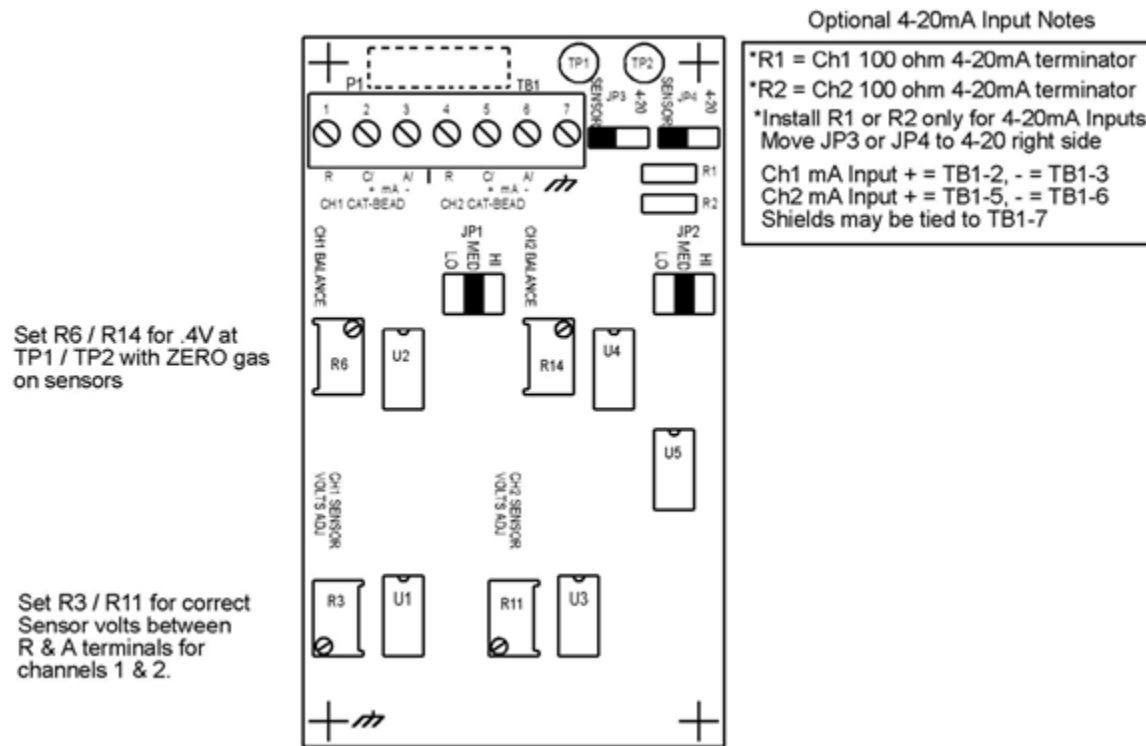


Figure 4-5 – Optional Bridge Sensor Input Board

4.1.5 Optional Electrochemical Sensor Input Board

Important! Dual EC Sensor input PCB's may only be installed into motherboard position P1.

The 10-bit dual Electrochemical Sensor Input option shown in Figure 4-6 allows these popular gas sensors to be connected directly to the TXP-C20 without additional signal conditioning or transmitters. Each channel is equipped with a preamplifier, bridge amplifier, sensor coefficient jumpers and a 2-position coarse gain jumper for setting the gain of the bridge amplifier. Socketed resistors R4 and R16 control the gain of the preamplifier and are installed at the factory (consult factory if sensor gas type is to be changed after shipment). Fault supervision circuitry forces the TXP-C20 into a FAULT condition upon sensor failure or removal.

This option may also be configured to accept 4-20mA inputs for mixing an electrochemical sensor and a current loop into the same board. Placing any channel's 2 position TOXIC/4-20mA jumper into 4-20mA position and installing the associated precision 100-ohm socketed resistor allows 4-20mA signals to be applied to its mA + / mA - terminals. Bridge amplifiers are bypassed in this configuration.

4.1.6 Optional Discrete Relay PCB's

Important! Discrete Relay Option PCB's may only be installed into motherboard position P3.

The optional Discrete Relay PCB, shown in Figure 4-7, adds six 5-amp form C relays. Each relay is associated to one of A1, A2 or A3 for channel 1 or 2. Many TXP-C20 applications utilize the standard equipped Relay 1 / Relay 2 (see section 2.3.1) and do not require optional discrete relays for each of the 6 alarms events (2 A1's, 2 A2's & 2 A3's).



All mechanical (dry contact) relays are rated at 5 Amp for 28 VDC and 250 ~VAC RESISTIVE loads. **IMPORTANT:** Appropriate diode (DC loads) or MOV (AC loads) snubber devices must be installed with inductive loads to prevent RFI noise spikes.

AC or DC power supplies to relays on the Discrete Relay PCB option must be the same for each relay. Example: 24VDC should not be the power switched by one relay and 115VAC by others.

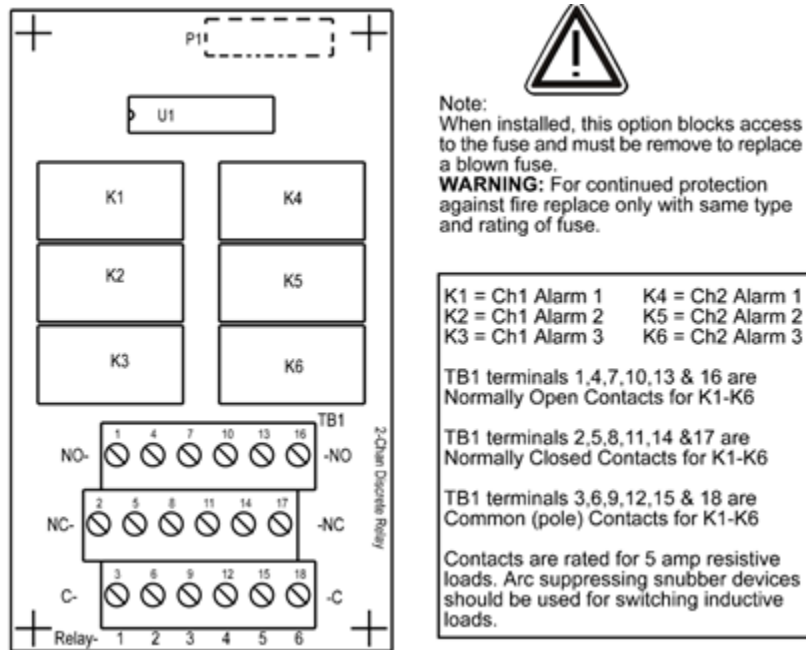


Figure 4-6 – Optional Electrochemical Sensor Input Board

4.1.7 Optional 4-20mA Analog Output Board

Important! Analog Output Board PCB's may only be installed into motherboard position P2.

An optional 10-bit 4-20mA analog output board, shown in Figure 4-8, may be added. Each channel's output will transmit 4mA for 0% readings and 20mA for 100% readings. If the TXP-C20 primary power is 100 – 240 VAC or at least 24 VDC, 4-20mA outputs are capable of driving 20mA through a 750-ohm load. Outputs are self-powered and DC power should not be provided by the receiving device. Precision calibration of the 4-20mA output DAC (digital to analog converter) is accomplished via the **Diagnostics** menu as described in section 2.3.5.

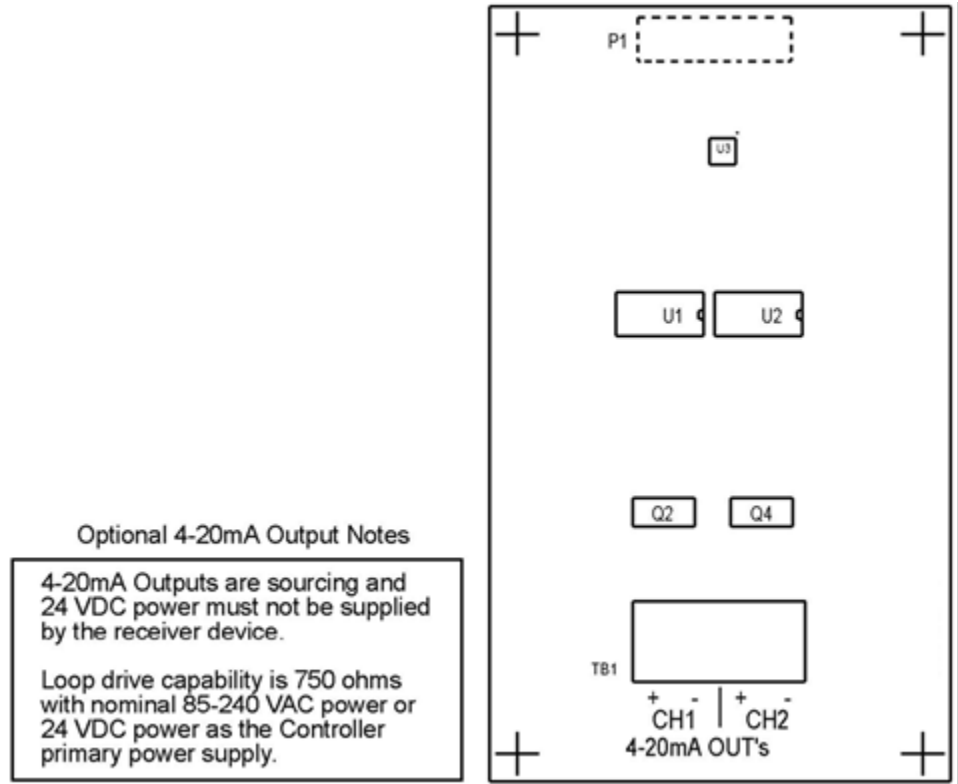


Figure 4-7 – Optional 4-20mA Analog Output Board

4.2 Modbus RS-232 / RS-485 Interface Option

The Modbus option PCB add both RS-232 and RS-485 Modbus RTU slave ports. Figure 4-8 shows this optional PCB which mounts to connectors on the upper right corner of the TXP-C20 motherboard. TB1 provides two pairs of T/Rx terminals and a floating terminal for shield continuation. This makes it easy to multi-drop TXP-C20's onto an RS-485 cable without doubling wires into the same screw terminals. RS-232 interface may be made by connecting to DB9 connector S1. Section 3.2.1 lists all Modbus registers and their function codes.



Follow correct IEEE RS-232 and RS-485 installation guidelines when using the Modbus RS-232 / RS-485 Interface option.

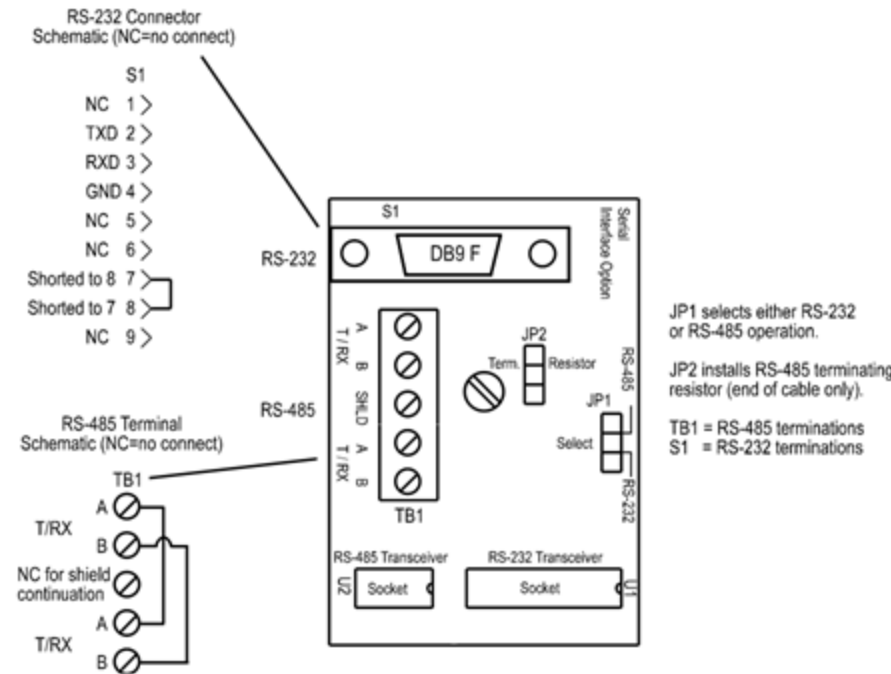


Figure 4-8 – Optional Modbus RS-232 /RS-485 interface Board

4.2.1 Modbus Register and Function Code Summary

The following table identifies TXP-C20 Modbus register locations and function codes.

Variable	Alias	Read Function Code	Write Function Code
Read/Write Coils:			
Alarm Ack/Reset	2001	1	5

Note: After writing a TRUE to this register, the TXP-C20 will reset it to FALSE.

Read Only Discrete:

Chan 1 Alarm 1	12001	2	NA
Chan 1 Alarm 2	12002	2	NA
Chan 1 Alarm 3/Flt	12003	2	NA
Chan 2 Alarm 1	12004	2	NA
Chan 2 Alarm 2	12005	2	NA
Chan 2 Alarm 3 /Flt	12006	2	NA
Relay 1	12007	2	NA
Relay 2	12008	2	NA

Read Only Registers:

Product ID	30001	4	NA
Returns the numeric value 90 for product ID			

Firmware value	30002	4	NA
Return a numeric value for firmware value as (Version X 100)			

D2A Chan 1	31001	4	NA
D2A Chan 2	31002	4	NA
10-bit value representing the D2A value of 0 to 1023 after all cal features are applied			

A2D Raw Chan 1	31003	4	NA
A2D Raw Chan 2	31004	4	NA
10-bit value representing the A2D value of 0 to 1023 for -25 to 103 %FS (197=0% & 1003=100%)			

Chan 1 Status	31005	4	NA
Chan 2 Status	31006	4	NA
16-bit status word bit assignment for each channel			

ALARM1_BELOW_BIT	BIT0
ALARM2_BELOW_BIT	BIT1
ALARM3_BELOW_BIT	BIT2
ALARM1_LATCH_BIT	BIT3
ALARM2_LATCH_BIT	BIT4
ALARM3_LATCH_BIT	BIT5
ALARM3_ACTIVE_BIT	BIT6
CHANNEL_DISABLED_BIT	BIT7
CHANNEL_CAL_BIT	BIT8

System Status Word	31007	4	NA
16-bit status word bit assignment for system status			

PIEZO_DRIVE	BIT6
HORN_ACK	BIT7
K1_HORN_DRIVE	BIT8
K2_HORN_DRIVE	BIT9
K1_HORN_PULSE	BIT10
K2_HORN_PULSE	BIT11
K1_FAILSAFE	BIT12
K2_FAILSAFE	BIT13

	K2_ACK		BIT14	
	LOCK		BIT15	
Alarm Status Word	31008	4		NA
16-bit status word bit assignment for system status				
	CHAN_1ALM_1		BIT0	
	CHAN_1ALM_2		BIT1	
	CHAN_1ALM_3		BIT2	
	CHAN_2ALM_1		BIT3	
	CHAN_2ALM_2		BIT4	
	CHAN_2ALM_3		BIT5	
	RELAY_1		BIT6	
	RELAY_2		BIT7	
	PIEZO		BIT7	
	SENSOR_LIFE Chan1	31009	4	NA
	SENSOR_LIFE Chan2	31010	4	NA
Returns -1 for "Cal Required" status or 0 to 100 for Sensor Life				
LED Blink Status	31011	4		NA
Bit set to 1 = LED Blinking, bit set to 0 = LED Not blinking				
	CHAN1_ALM1		BIT0	
	CHAN1_ALM2		BIT1	
	CHAN1_ALM3		BIT2	
	CHAN2_ALM1		BIT3	
	CHAN2_ALM2		BIT4	
	CHAN2_ALM3		BIT5	
Disc Relay Status	31012	4		NA
16-bit status word bit assignment for system status				
	CHAN_1ALM_1		BIT0	
	CHAN_1ALM_2		BIT1	
	CHAN_1ALM_3		BIT2	
	CHAN_2ALM_1		BIT3	
	CHAN_2ALM_2		BIT4	
	CHAN_2ALM_3		BIT5	
	RELAY_1		BIT6	
	RELAY_2		BIT7	
	PIEZO		BIT7	

Memory Floating Point:

Notes: Returned as 15-bit 2s complement with +- 5% over/under range applied... Therefore, this must be considered when scaling values to be displayed at the Workstation. The following equation may be used to determine a value for display.

$$\text{Display Value} = \frac{\text{MODBUS Value} [(\text{Span Value} - \text{Zero Value}) 1.1] + \{ \text{Zero Value} - [(\text{Span Value} - \text{Zero Value}) .05] \}}{32767}$$

FP Value Chan 1	33001	4		NA
FP Value Chan 2	33002	4		NA

Memory Reals:

Notes: Real value represents float value without the decimal point such as 123.4 is returned as 1234.
 Decimal divisor is returned as 1, 10, 100, or 1000 for decimal position of 1, 2, 3, or 4, where 123.4 would return the value 10.

Chan 1 Zero Real	41001	3	NA
Chan 1 Zero Divisor	41002	3	NA
Chan 1 Span Real	41003	3	NA
Chan 1 Span Divisor	41004	3	NA
Chan 1 Alarm 1 Real	41005	3	NA
Chan 1 Alarm 1 Divisor	41006	3	NA
Chan 1 Alarm 2 Real	41007	3	NA
Chan 1 Alarm 2 Divisor	41008	3	NA
Chan 1 Alarm 3 Real	41009	3	NA
Chan 1 Alarm 3 Divisor	41010	3	NA
Chan 2 Zero Real	41011	3	NA
Chan 2 Zero Divisor	41012	3	NA
Chan 2 Span Real	41013	3	NA
Chan 2 Span Divisor	41014	3	NA
Chan 2 Alarm 1 Real	41015	3	NA
Chan 2 Alarm 1 Divisor	41016	3	NA
Chan 2 Alarm 2 Real	41017	3	NA
Chan 2 Alarm 2 Divisor	41018	3	NA
Chan 2 Alarm 3 Real	41019	3	NA
Chan 2 Alarm 3 Divisor	41020	3	NA
Binary Cal Data:	41021	3	NA
Chan 1 A2D MIN	41022	3	NA
Chan 1 A2D MAX	41023	3	NA
Chan 1 D2A MIN	41024	3	NA
Chan 1 D2A MAX	41025	3	NA
Chan 2 A2D MIN	41026	3	NA
Chan 2 A2D MAX	41027	3	NA
Chan 2 D2A MIN	41028	3	NA
Chan 2 D2A MAX			

Min and Max calibration points for the A/D and D/A converters

Memory ASCII Strings:

User Info Chan 1	40401-40405	3	NA
User Info Chan 2	40406-40410	3	NA

10 ASCII characters (2 per register) assigned to the unit identifier read as bytes

EUNITS Chan 1	40411-40415	3	NA
EUNITS Chan 2	40416-40420	3	NA

10 ASCII characters (2 per register) assigned to the engineering units read as bytes

Chan 1 ASCII Reading	40421-40423	3	NA
Chan 2 ASCII Reading	40424-40426	3	NA

6 ASCII characters (2 per register) reflecting the display readout...

Firmware Version:

Version	40427-40428	3	NA
---------	-------------	---	----

3 ASCII characters (2 per register) reflecting the firmware version

4.3 Optional External 24VDC 50-Watt Power Supplies

Some applications may require 24VDC power in excess of the 12 watts supplied by the TXP-C20. NEC Class 2 FIFTY-WATT external supplies are available for Division 1 and Division 2 potentially hazardous area installations and both also include a NEMA 4X weather rating.

5 TXP-C20 N4 NEMA 3x Wall Mount Enclosure



The TXP-C20 N4 wall mount NEMA 4X enclosure is shown in Figure 5-1. Non-metallic enclosures are not grounded by metal conduit. For internal ground points to be grounded to earth, the TB5 – GND terminal must have a proper earth ground connection.



CAUTION: Nonmetallic ENCLOSURE DOES NOT PROVIDE GROUNDING BETWEEN CONDUIT CONNECTIONS. USE GROUNDING TYPE BUSHINGS AND JUMPER WIRES. ALL FIELD WIRING MUST HAVE INSULATION SUITABLE FOR AT LEAST 250V

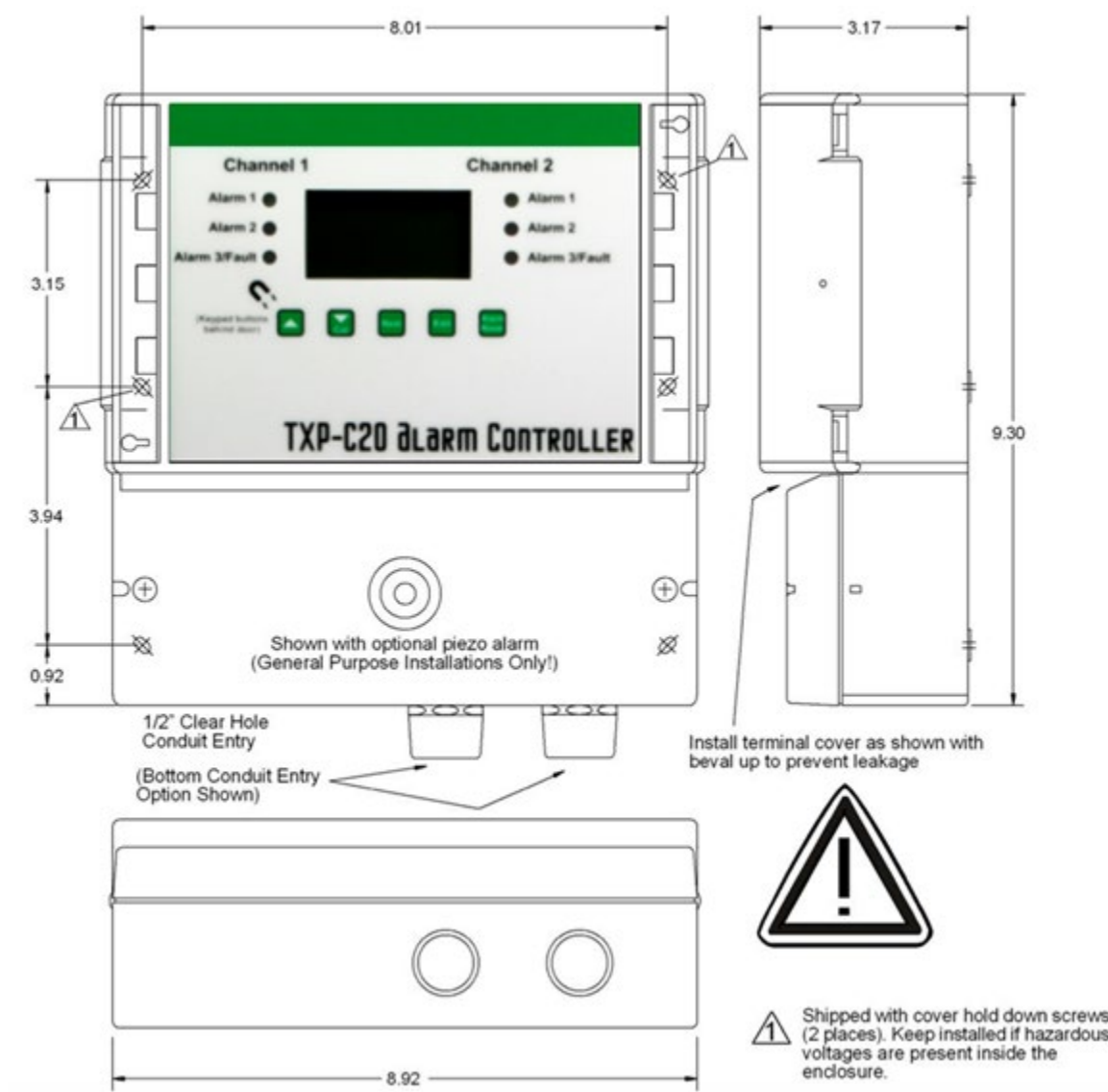


Figure 5-1 – N4 NEMA 3X Enclosure

5.1 TXP-C20 XP NEMA 7 Explosion-Proof Wall Mount Enclosure

The TXP-C20 XP shown in Figure 5-2 is an aluminum NEMA 7 wall mount enclosure designed for mounting into potentially hazardous.

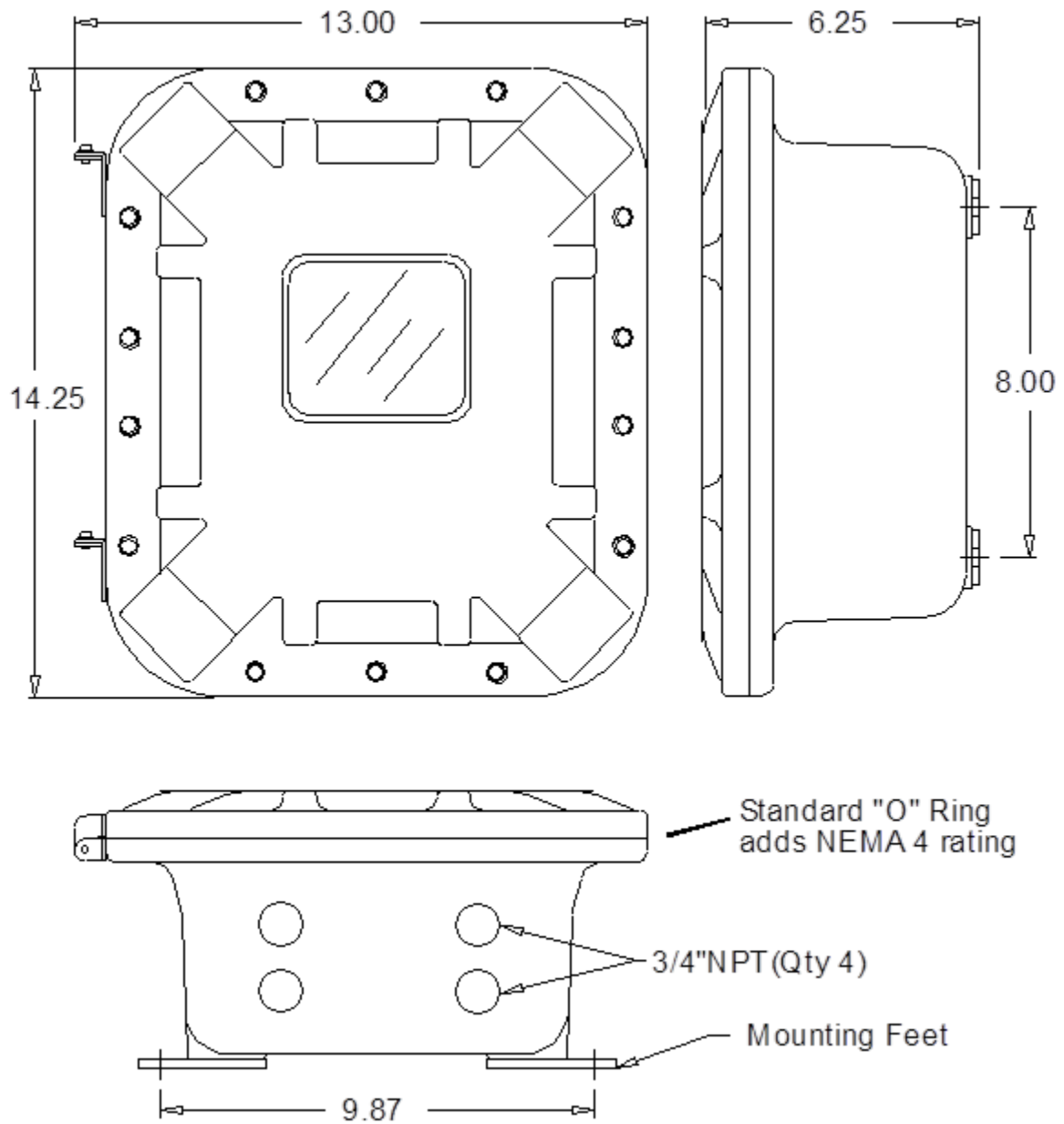


Figure 5-2 – XP NEMA 7X Enclosure

5.2 TXP-C20 PY NEMA 4X Polycarbonate Wall Mount Enclosure

The TXP-C20 PY wall mount NEMA 4X enclosure is shown in Figure 5-3. Non-metallic enclosures are not grounded by metal conduit. For internal ground points to be grounded to earth, the TB5 – GND terminal must have a proper earth ground connection.



CAUTION: NONMETALLIC ENCLOSURE DOES NOT PROVIDE GROUNDING BETWEEN CONDUIT CONNECTIONS. USE GROUNDING TYPE BUSHINGS AND JUMPER WIRES. ALL FIELD WIRING MUST HAVE INSULATION SUITABLE FOR AT LEAST 250V.

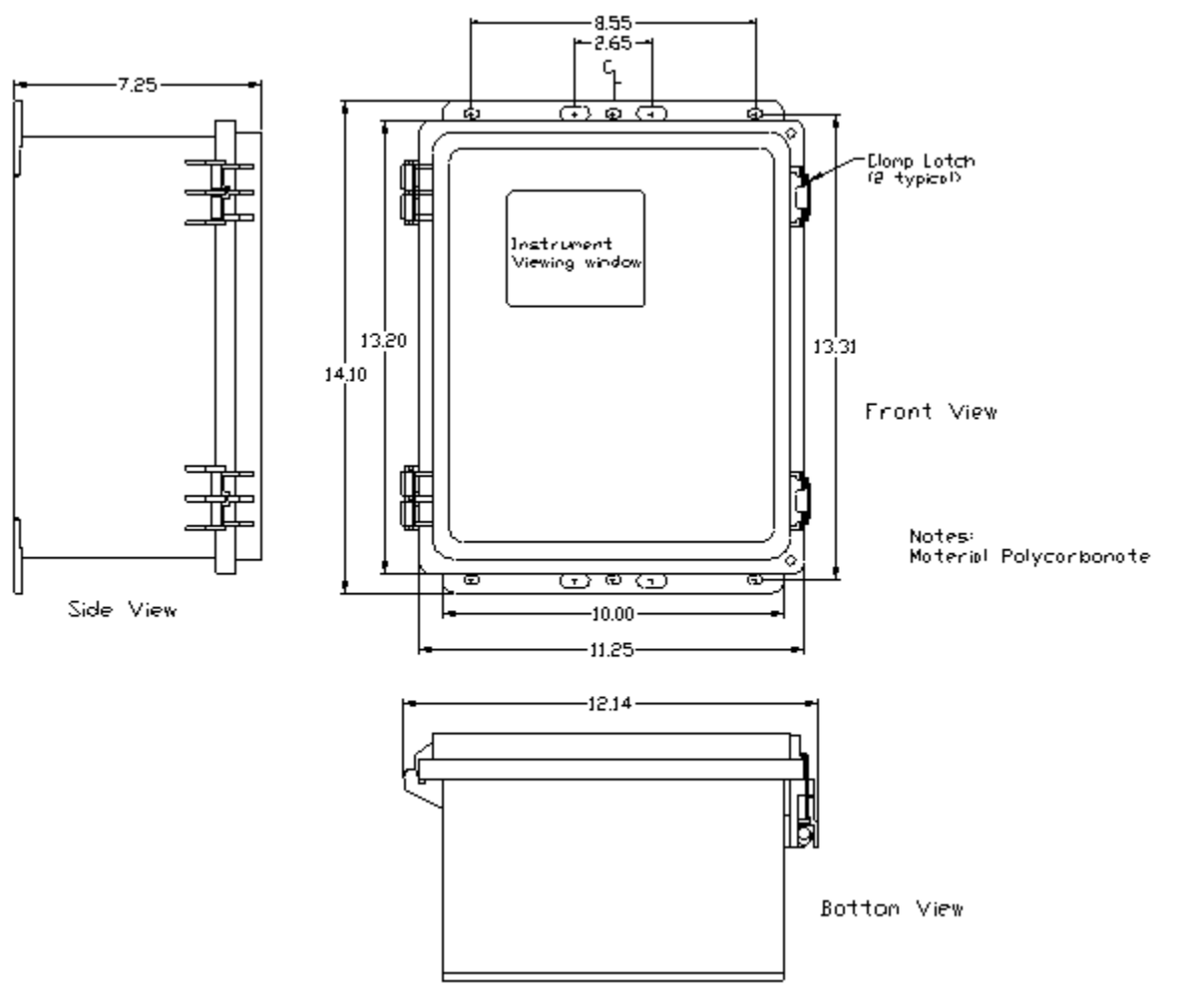


Figure 5-3 – PY NEMA 4X Enclosure

5.3 TXP-C20 PCS NEMA 4 Painted Steel Wall Mount Enclosure

The TXP-C20 PCS shown in Figure 5-4 is a Painted Carbon Steel NEMA 4 wall mount enclosure designed for non-corrosive installations.

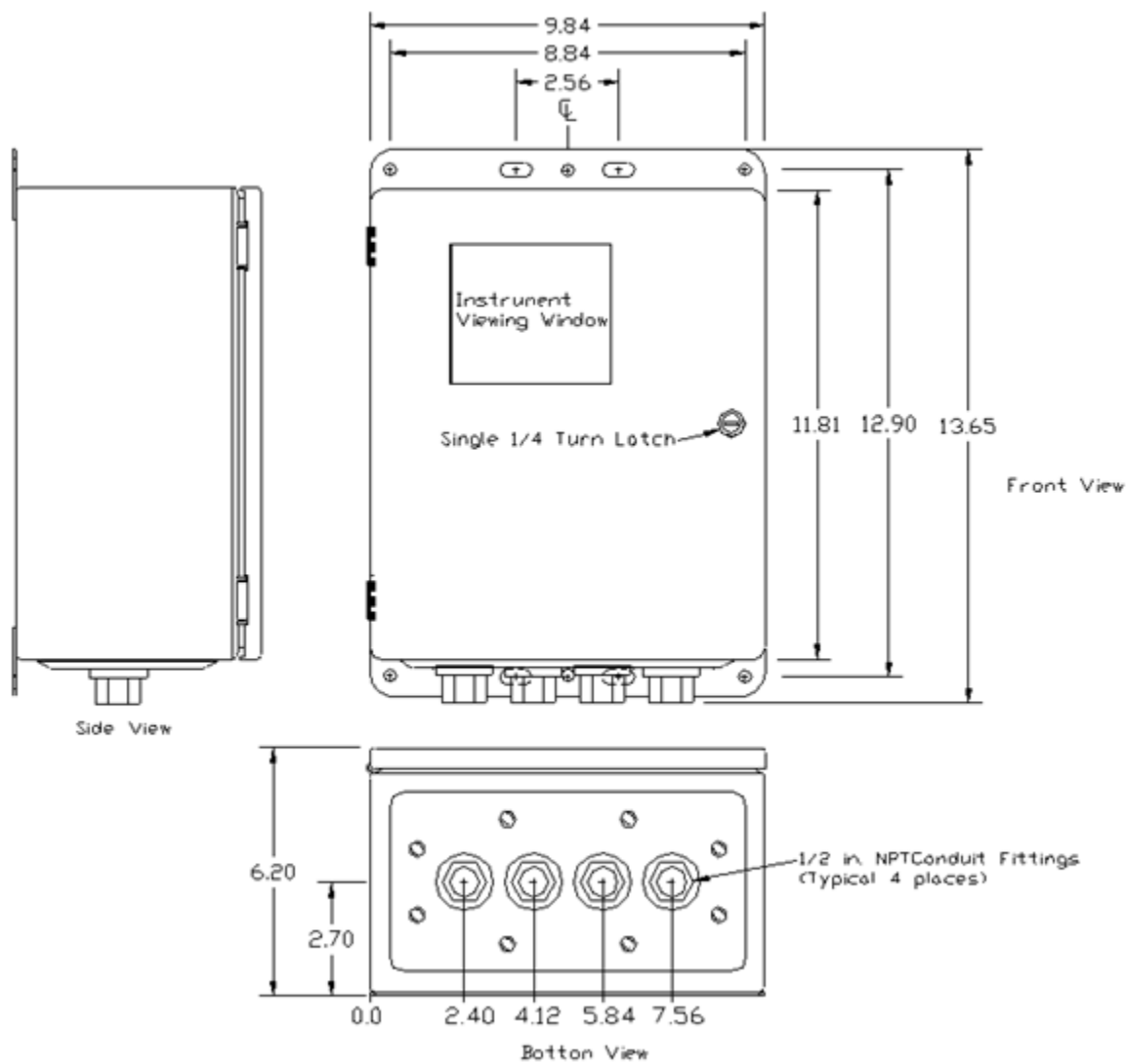


Figure 5-4 – PCS NEMA 4 Enclosure

5.4 TXP-C20 SS NEMA 4X Stainless Steel Wall Mount Enclosure

The TXP-C20 SS shown in Figure 5-5 is a 316 Stainless Steel NEMA 4X wall mount enclosure designed for corrosive installations.

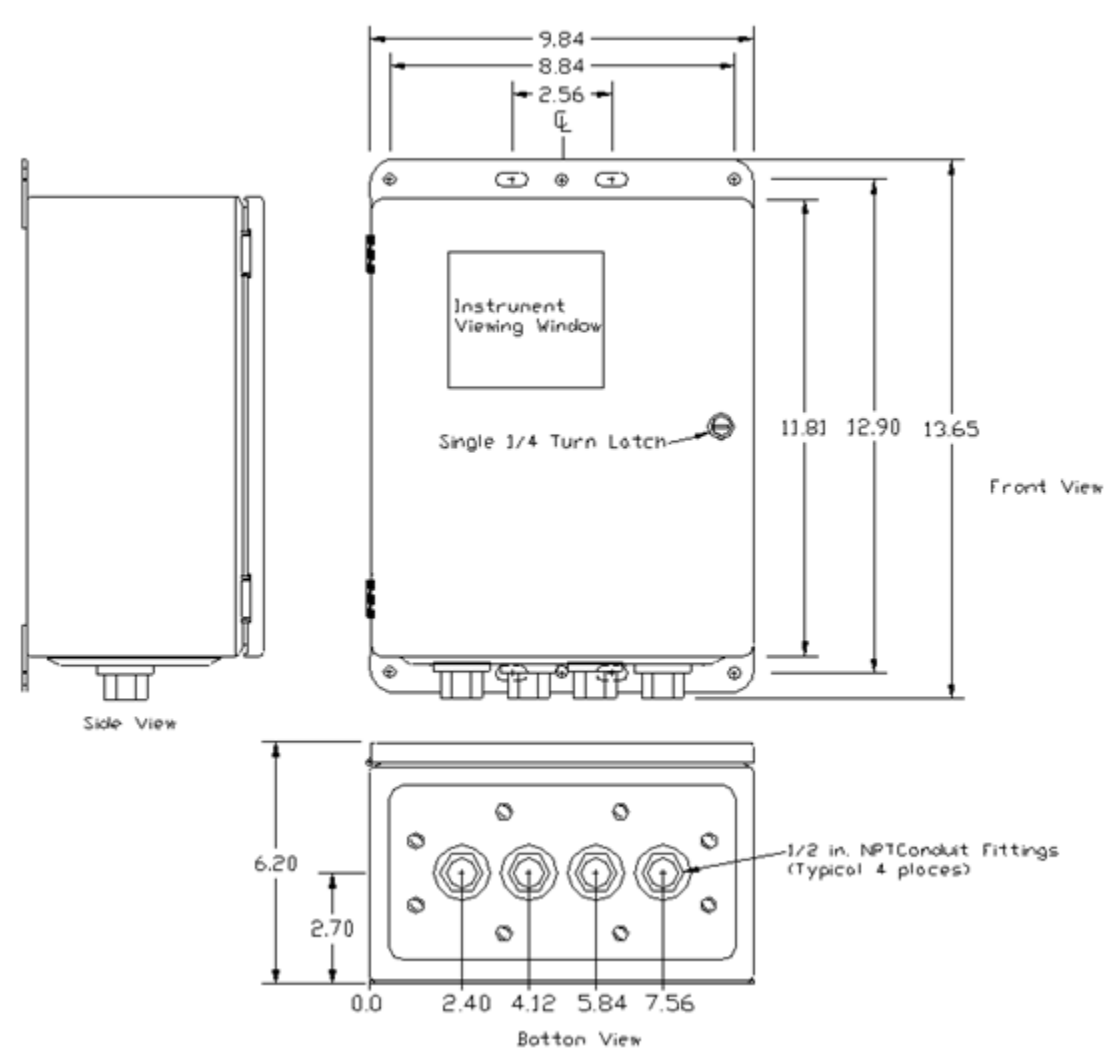


Figure 5-5 – SS NEMA 4X Enclosure

6 Appendix A – Table of Figures

Figure 2-1 – TXP-C20 Front Panel	5
Figure 2-2 – TXP-C20 Display Board	6
Figure 2-3 – Data Display Screens	6
Figure 3-1 – Menu Tree	10
Figure 3-2 – Setup Screen.....	11
Figure 3-3 – Channel Setup Screen.....	12
Figure 3-4 – Alarm Setup Screen	12
Figure 3-5 – Config Screen.....	13
Figure 3-6 – CAL Setup Screen.....	14
Figure 3-7 – Cal Menu Tree	15
Figure 3-8 – System Configuration Menus Screen	16
Figure 3-9 – Relay Menus Screen	16
Figure 3-10 – Relay Statuses Screen	17
Figure 3-11 – Horn/Piezo Screen.....	18
Figure 3-12 – Communications Screen.....	18
Figure 3-14 – Clock/Delays Screen	19
Figure 3-13 – Diagnostics Screen.....	19
Figure 3-15 – Input Min/Max Screen	20
Figure 3-16 – System Security Screen	20
Figure 4-1 – Motherboard Power Connection	21
Figure 4-2 – Motherboard	22
Figure 4-3 – Optional Analog Input Board.....	23
Figure 4-4 – Optional Bridge / EC Sensor Input Board	24
Figure 4-5 – Optional Bridge Sensor Input Board.....	26
Figure 4-6 – Optional Electrochemical Sensor Input Board	27
Figure 4-7 – Optional 4-20mA Analog Output Board	28
Figure 4-8 – Optional Modbus RS-232 /RS-485 interface Board.....	29
Figure 5-1 – N4 NEMA 3X Enclosure.....	34
Figure 5-2 – XP NEMA 7X Enclosure	35
Figure 5-3 – PY NEMA 4X Enclosure	36

Figure 5-4 – PCS NEMA 4 Enclosure 37
Figure 5-5 – SS NEMA 4X Enclosure 38

7 Macurco Gas Detection Product limited warranty

Macurco warrants the <Model> gas detector will be free from defective materials and workmanship for a period of two (2) years from the date of manufacture, provided it is maintained and used in accordance with Macurco instructions and/or recommendations. If any component becomes defective during the warranty period, it will be replaced or repaired free of charge, if the unit is returned in accordance with the instructions below. This warranty does not apply to units that have been altered or had repair attempted, or that have been subjected to abuse, accidental or otherwise. The above warranty is in lieu of all other express warranties, obligations or liabilities. THE IMPLIED WARRANTIES OF MERCHANTABILITY AND FITNESS FOR PARTICULAR PURPOSE ARE LIMITED TO A PERIOD OF TWO (2) YEARS FROM THE PURCHASE DATE. Macurco shall not be liable for any incidental or consequential damages for breach of this or any other warranty, express or implied, arising out of or related to the use of said gas detector. The manufacturer or its agent's liability shall be limited to replacement or repair as set forth above. Buyer's sole and exclusive remedies are the return of the goods and repayment of the price, or repair and replacement of non-conforming goods or parts.

Macurco Gas Detection

3601 N. St. Paul Avenue
Sioux Falls, SD 57104

Technical Support Contact Information

Phone: 1-844-325-3050

Fax: 1-605-951-9616

Email: support@tracxp.com

Website: www.tracxp.com/support/

General Contact Information

Phone : 1-877-367-7891

Fax : 1-605-951-9616

Email: info@tracxp.com

Website: www.tracxp.com

Rev - 1.0

Issue Date: 10-6-2020

Document No: 34-2900-0207-5

© Aerionics 2020. All rights reserved.

Macurco is a trademark of Aerionics, Inc.

